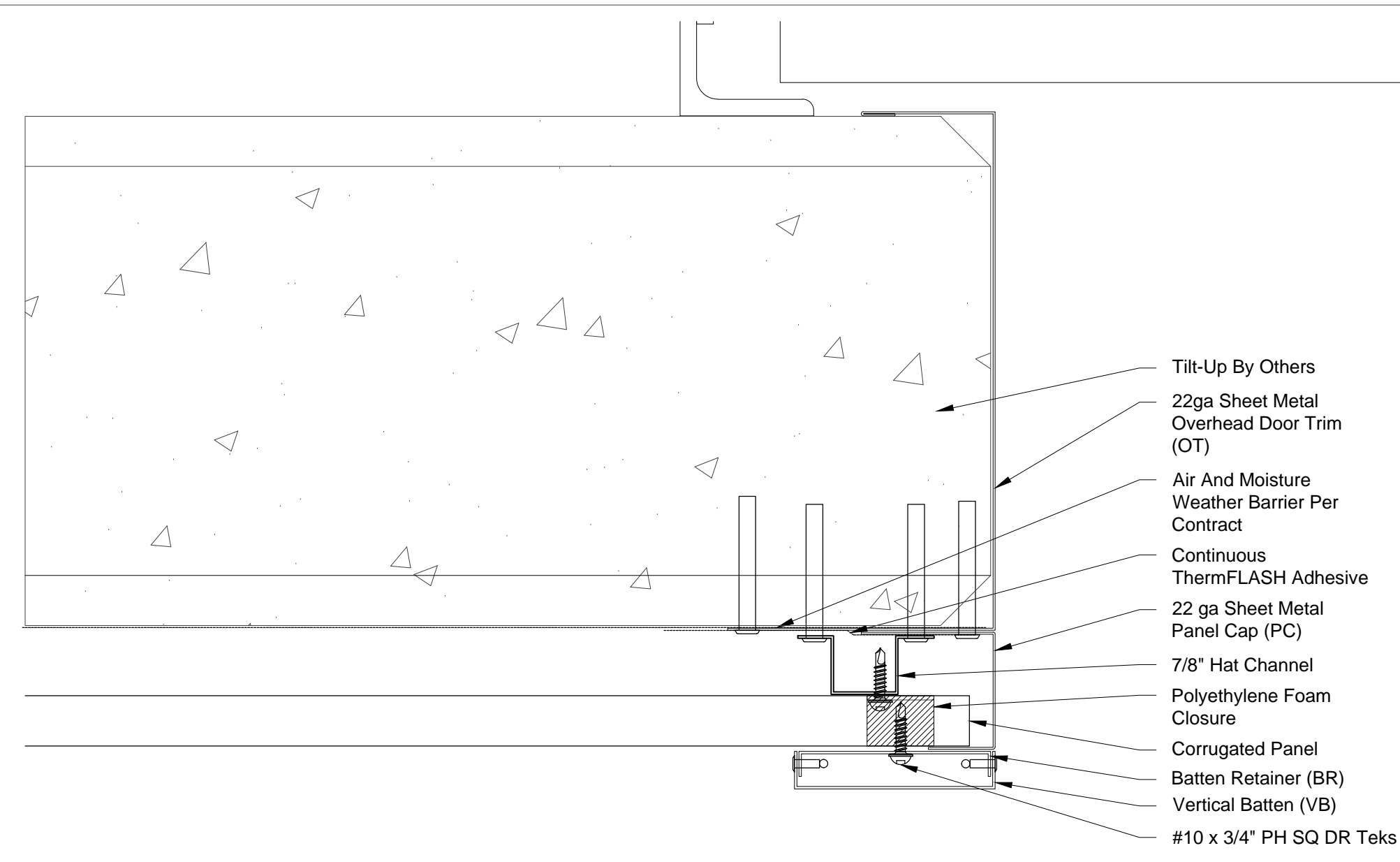
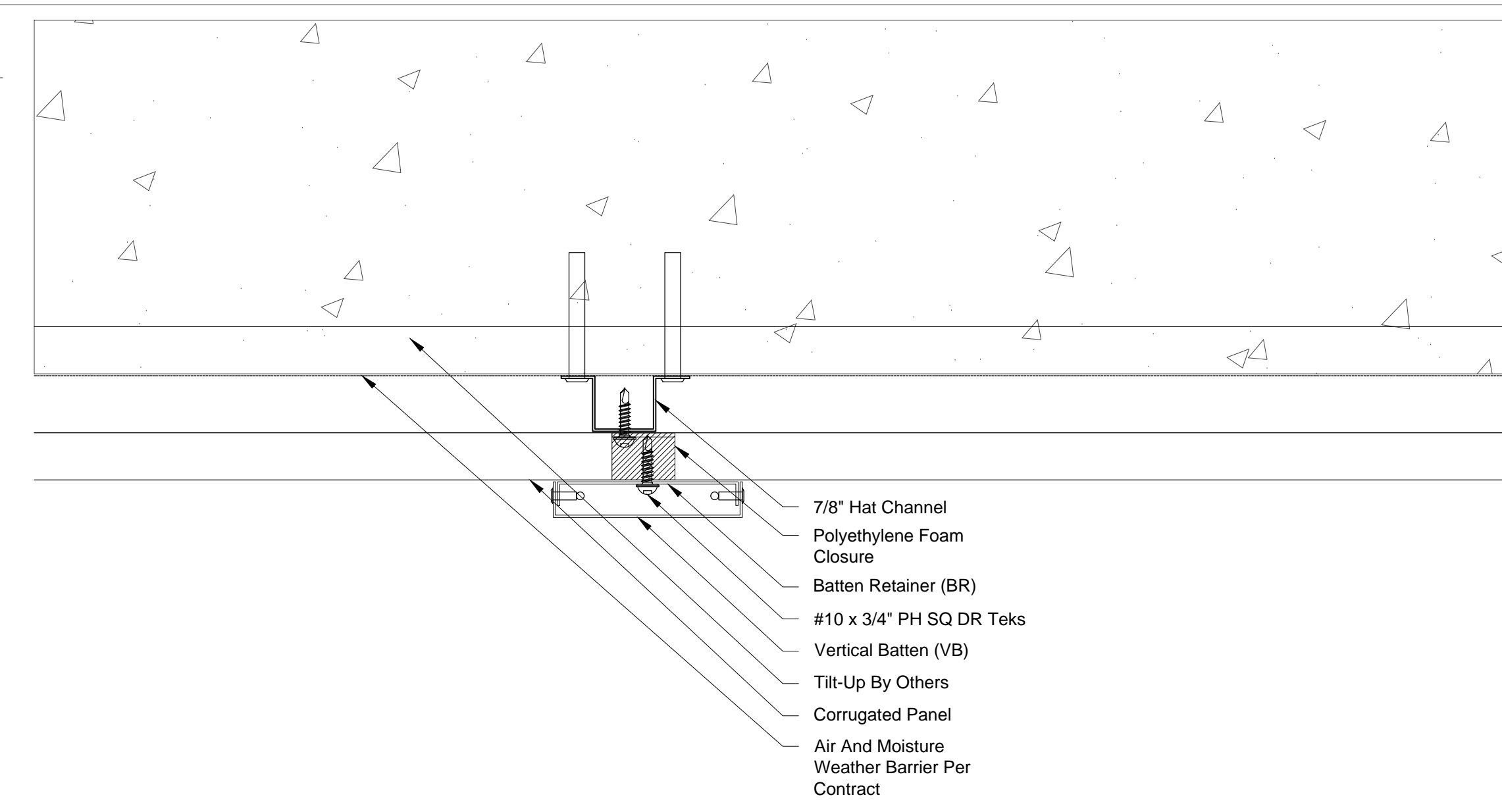


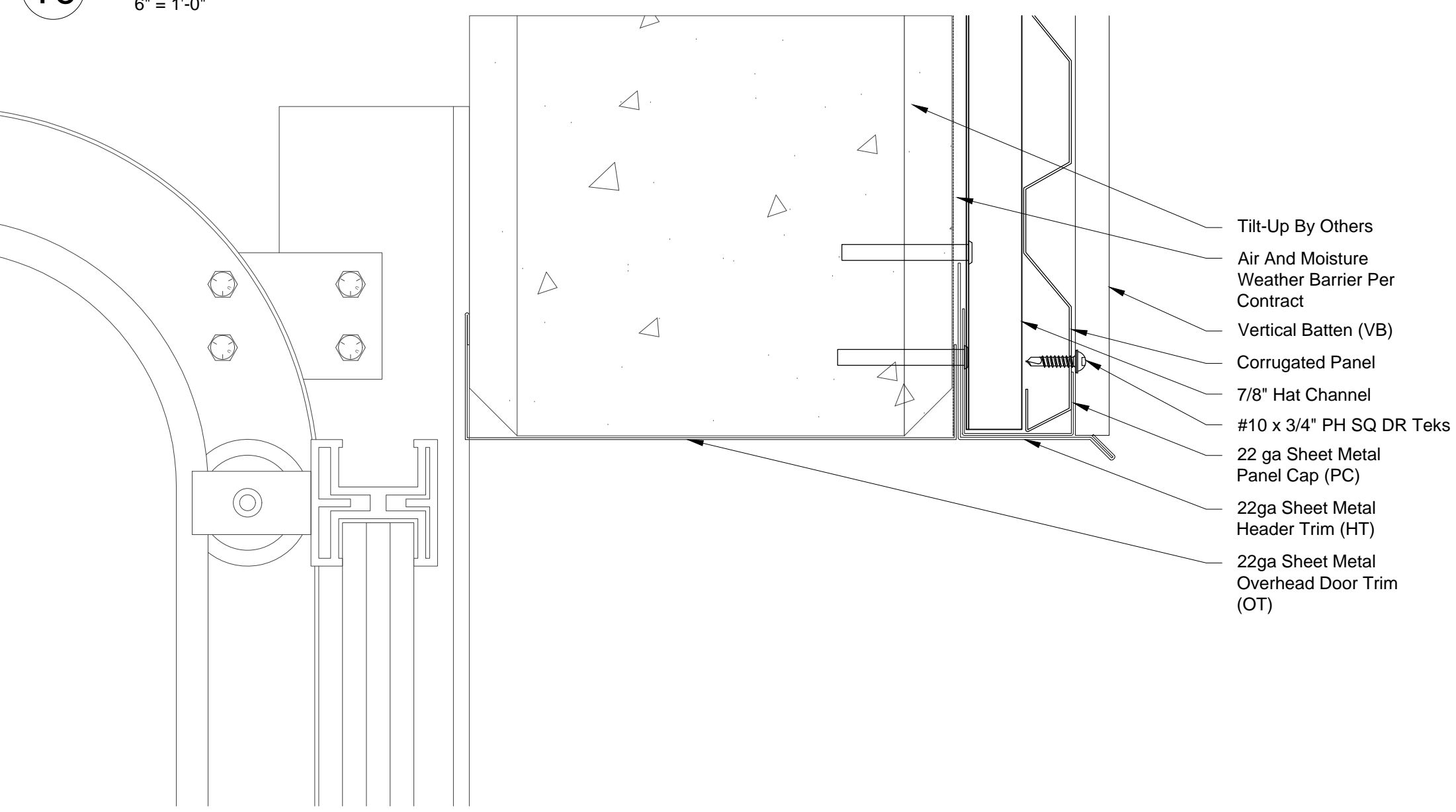
10 Corrugated @ Door Header - Tilt-up
6" = 1'-0"



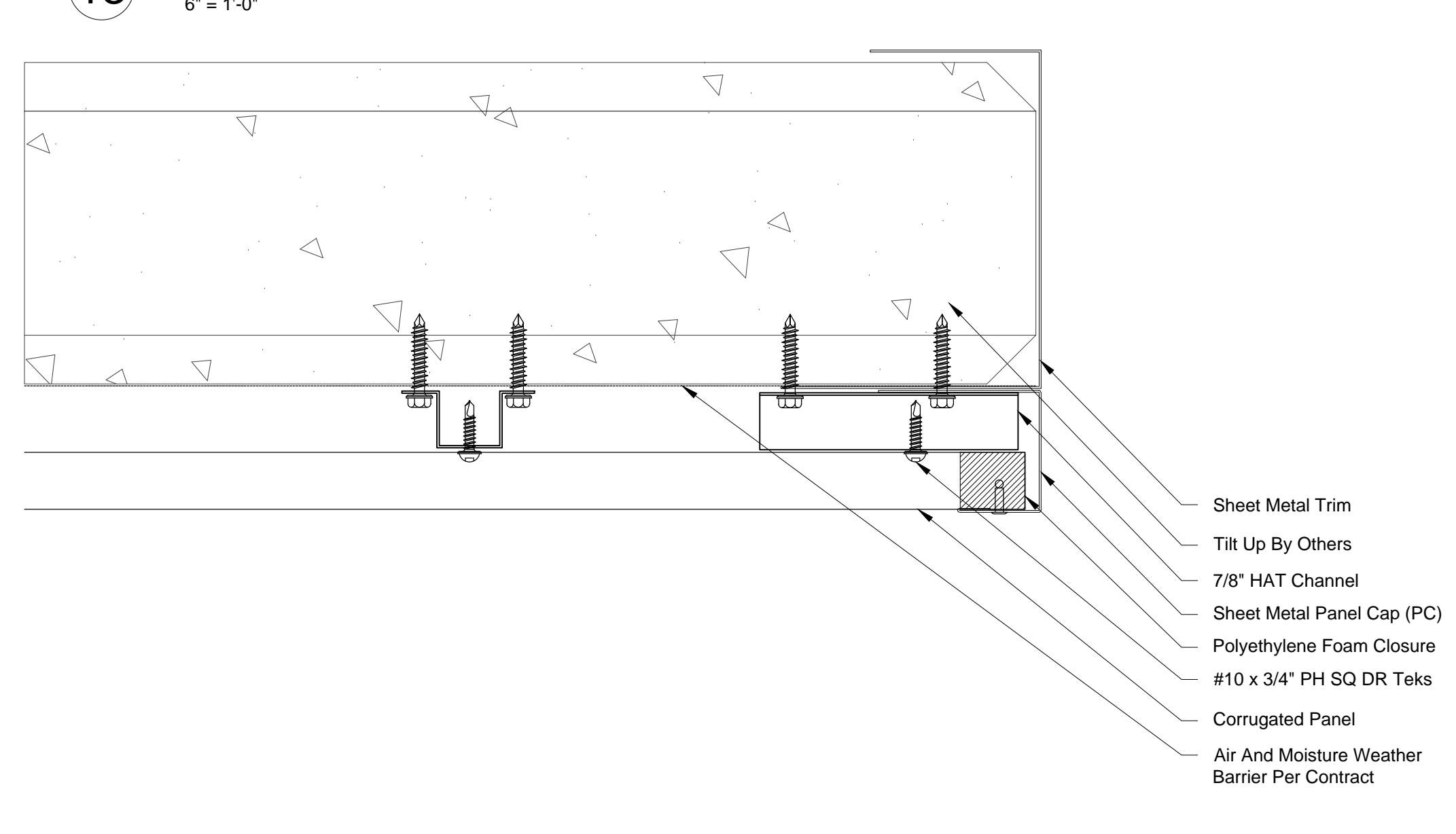
13 Corrugated @ Overhead Door Jamb - Tilt-up
6" = 1'-0"



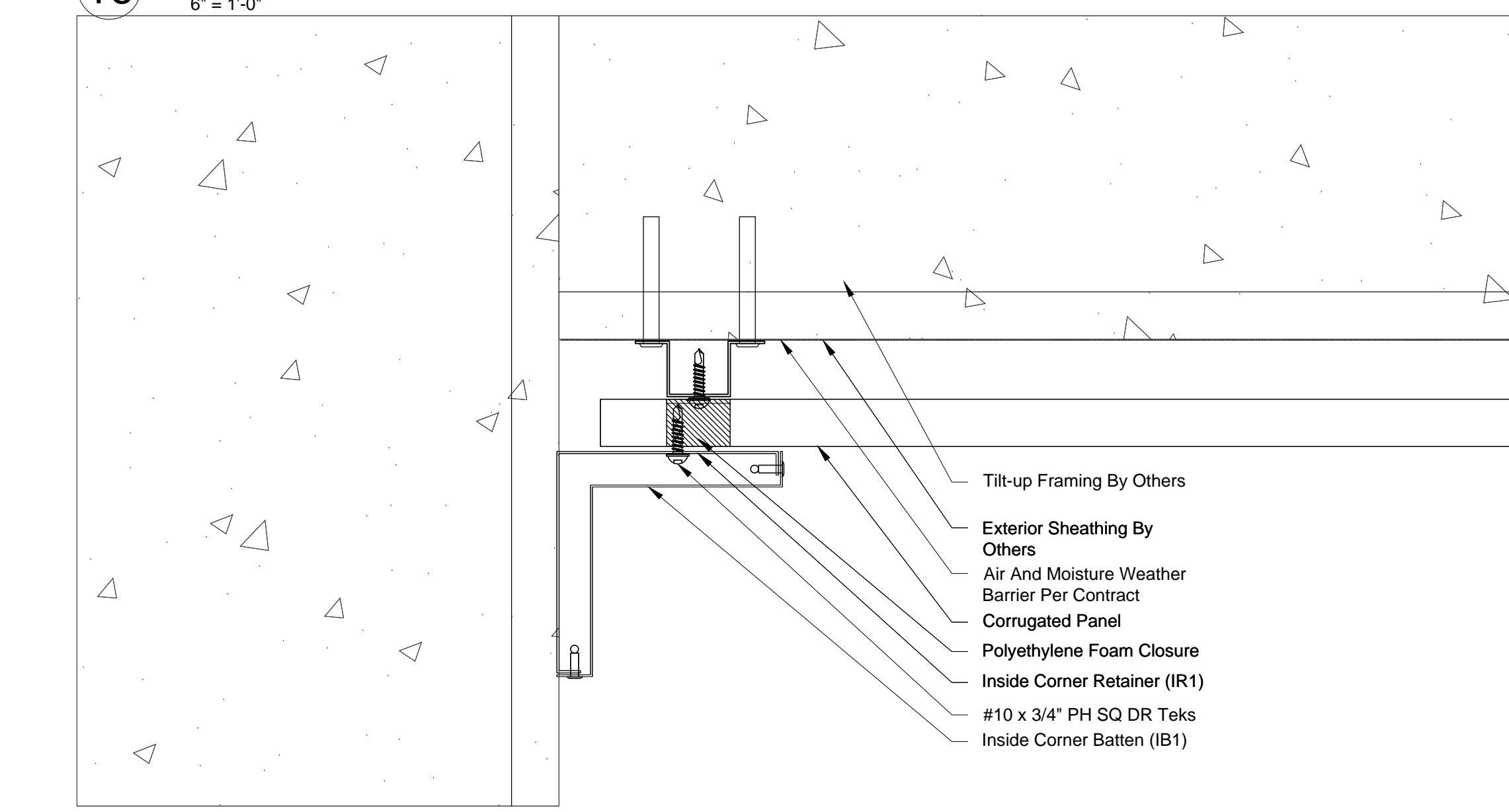
16 Corrugated @ Vertical Batten - Tilt-up
6" = 1'-0"



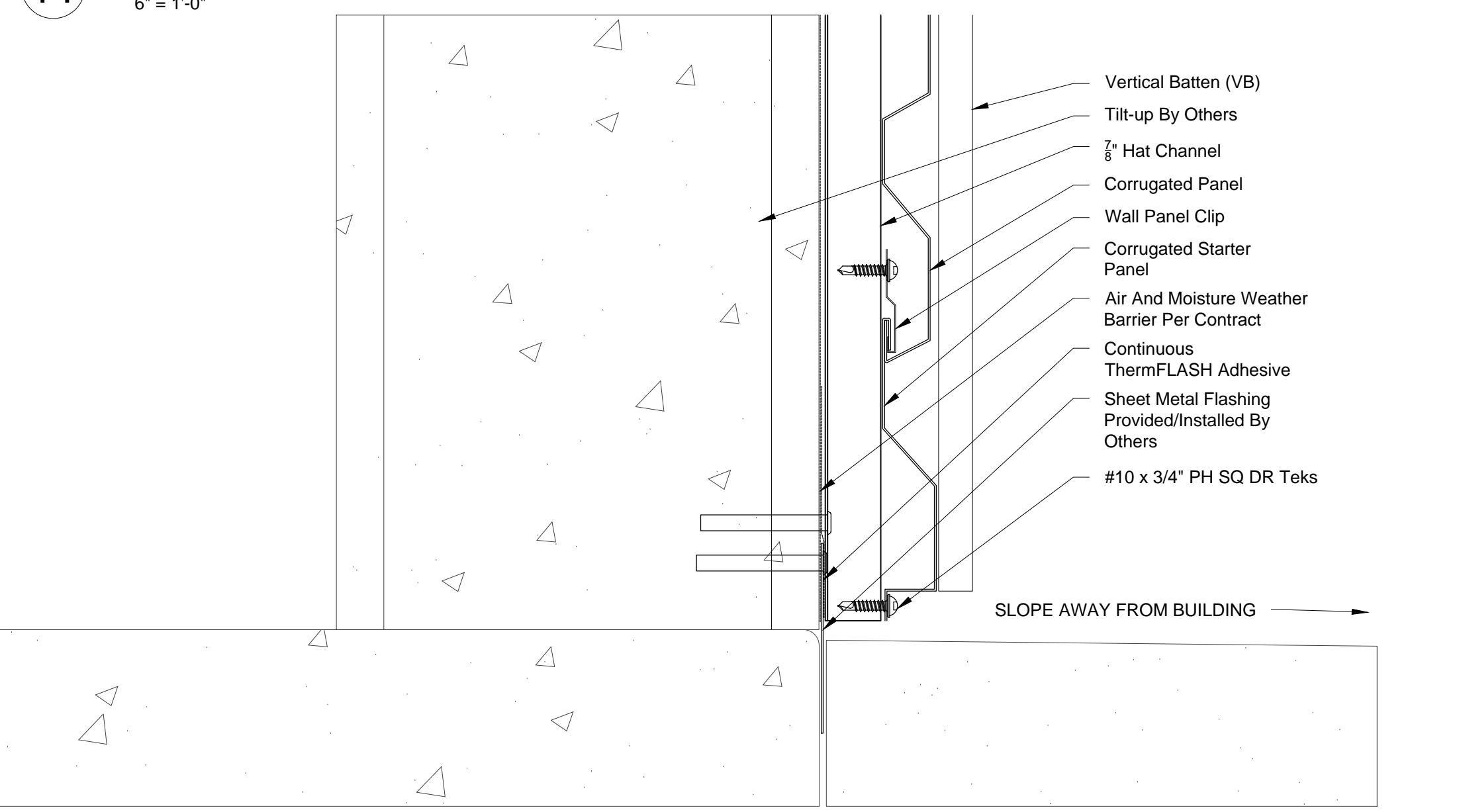
11 Corrugated @ Overhead Door Header - Tilt-up
6" = 1'-0"



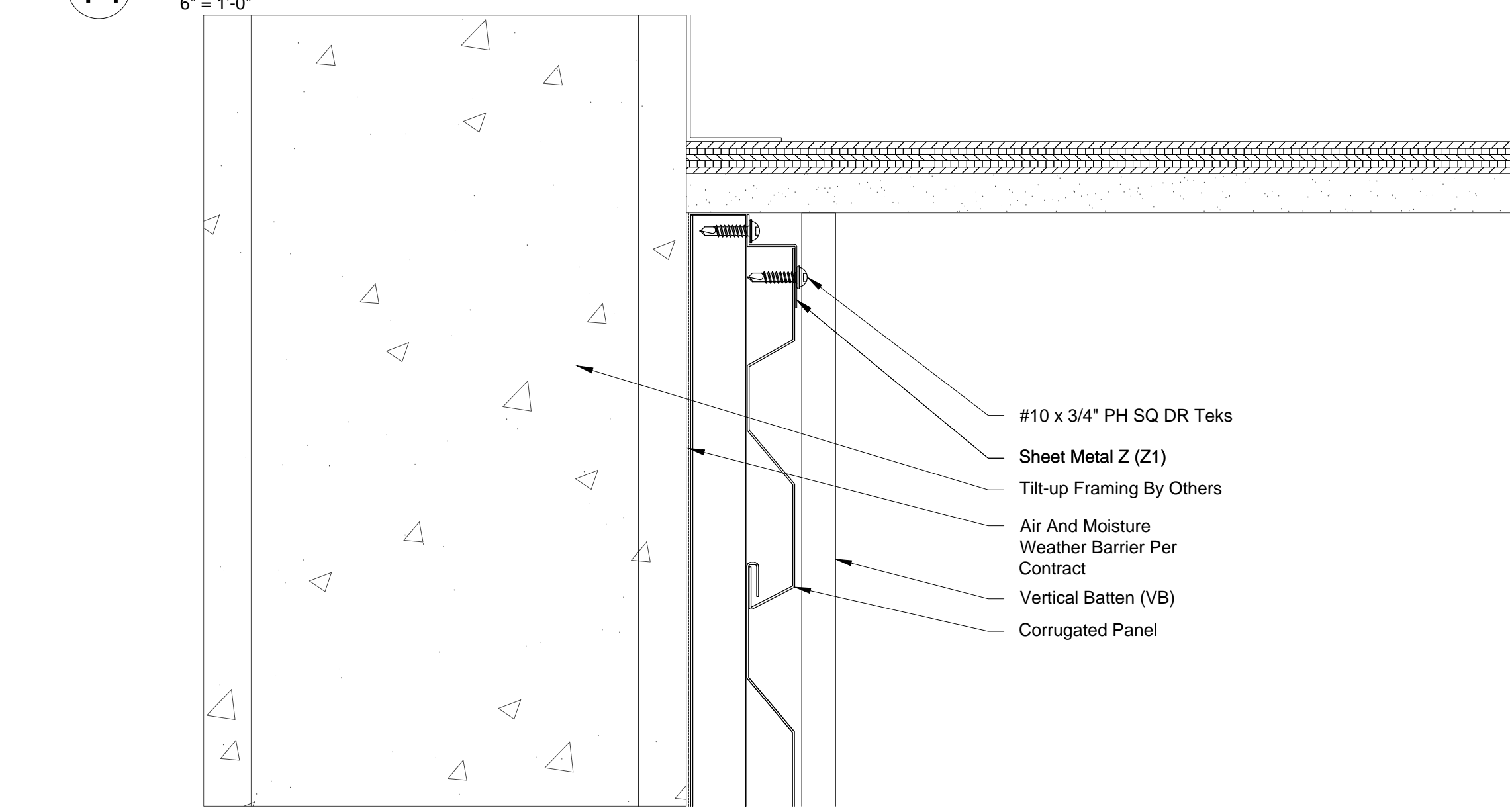
14 Corrugated @ Parapet End Cap - Tilt-up
6" = 1'-0"



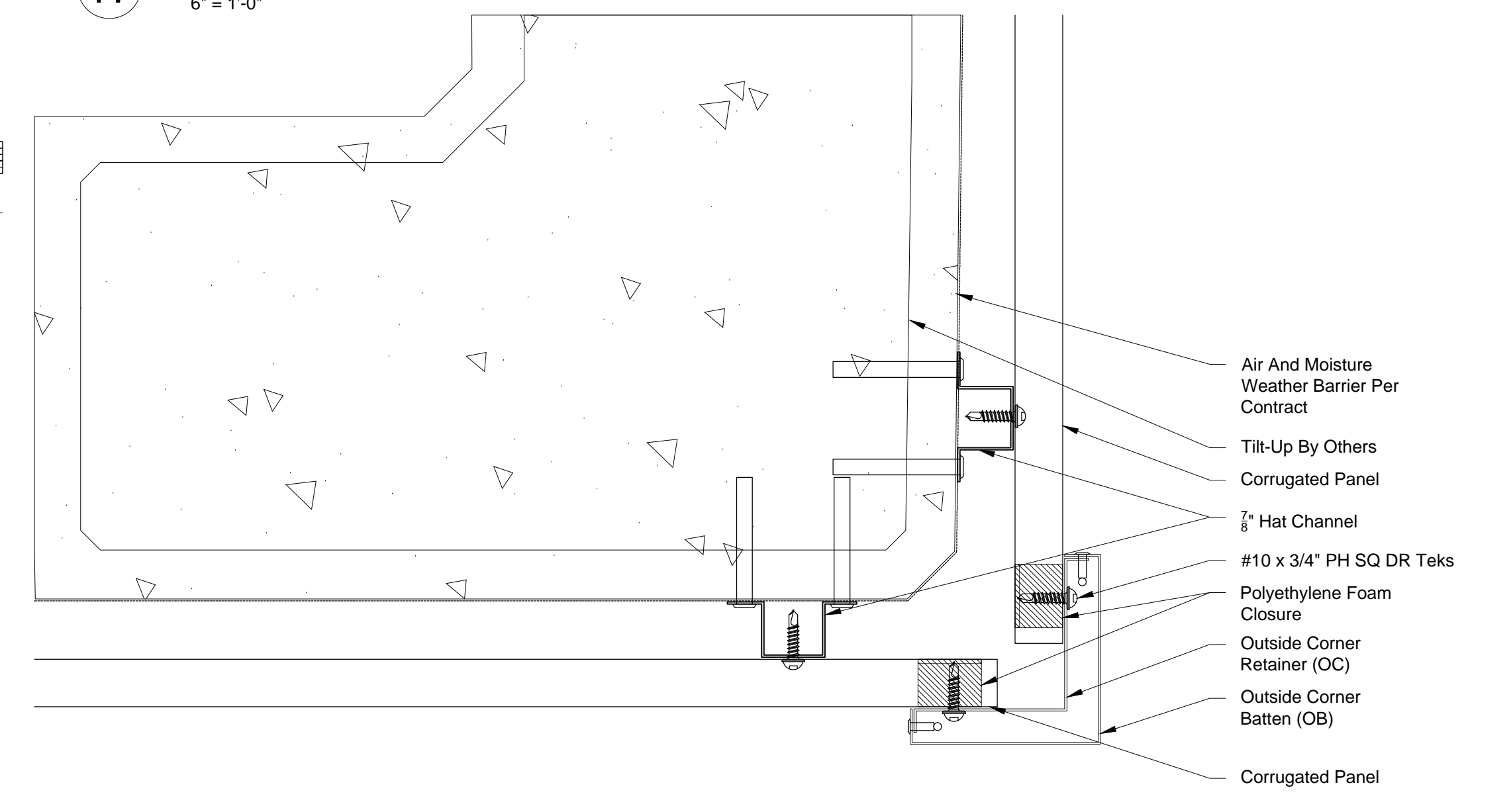
17 Corrugated @ Termination - Tilt-up
6" = 1'-0"



12 Corrugated @ Base Condition - Tilt-up
6" = 1'-0"



15 Corrugated @ Soffit Termination - Tilt-up
6" = 1'-0"



18 Corrugated @ Outside Corner - Tilt-up
6" = 1'-0"

Standard Corrugated Tilt-up Framing Details

IF YOU ARE INTERESTED IN USING THESE DETAILS IN YOUR DESIGN SHEETS, PLEASE CONTACT BESTWORTHROMMEL FOR ADDITIONAL CAD DRAWINGS, OR FURTHER INFORMATION REGARDING OUR PANEL SYSTEMS.



BESTWORTHROMMEL
19818 74TH Ave. N.E.
Arlington, WA 98223
360.435.2927 PHONE - 360.435.3617 FAX
www.bestworth.com