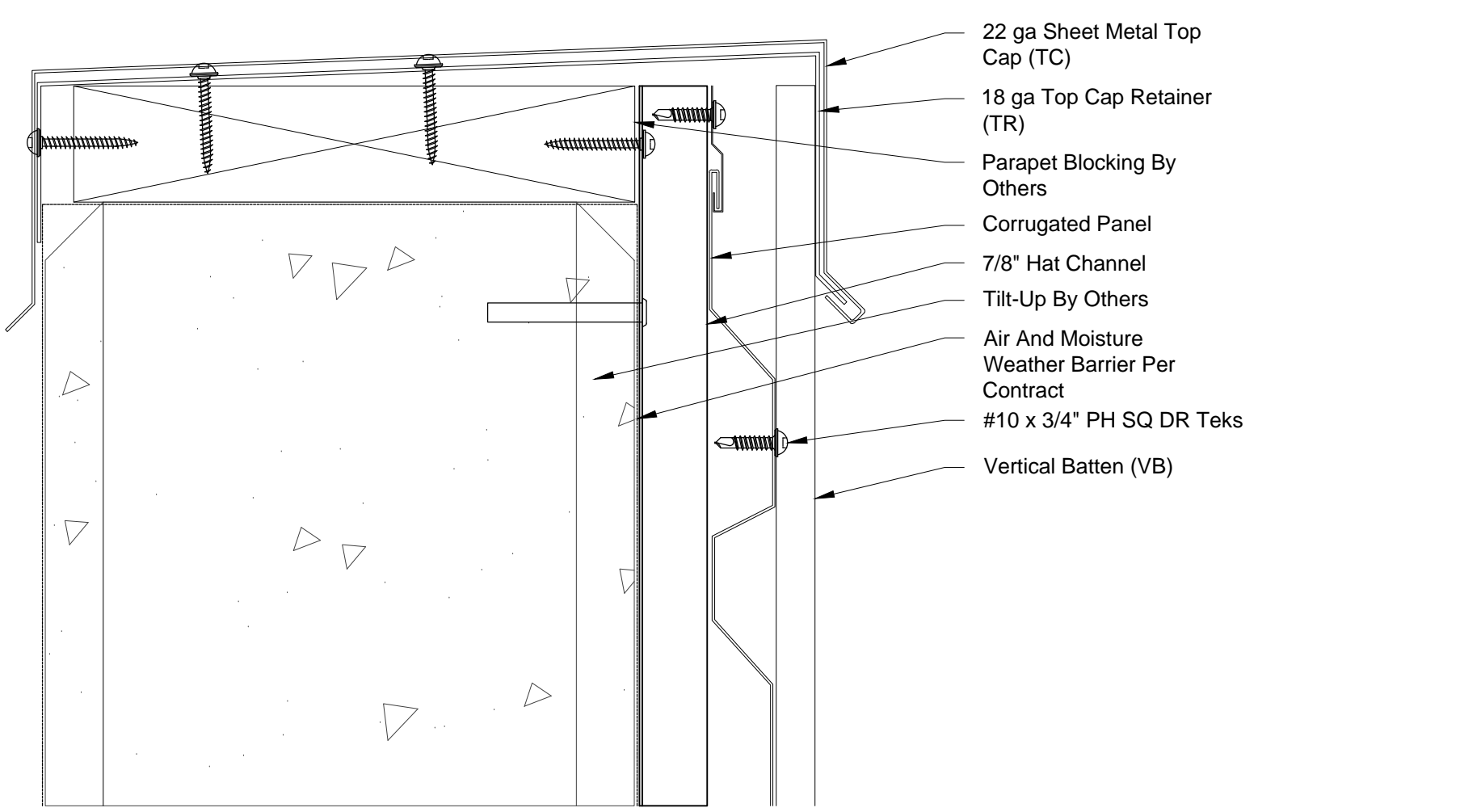
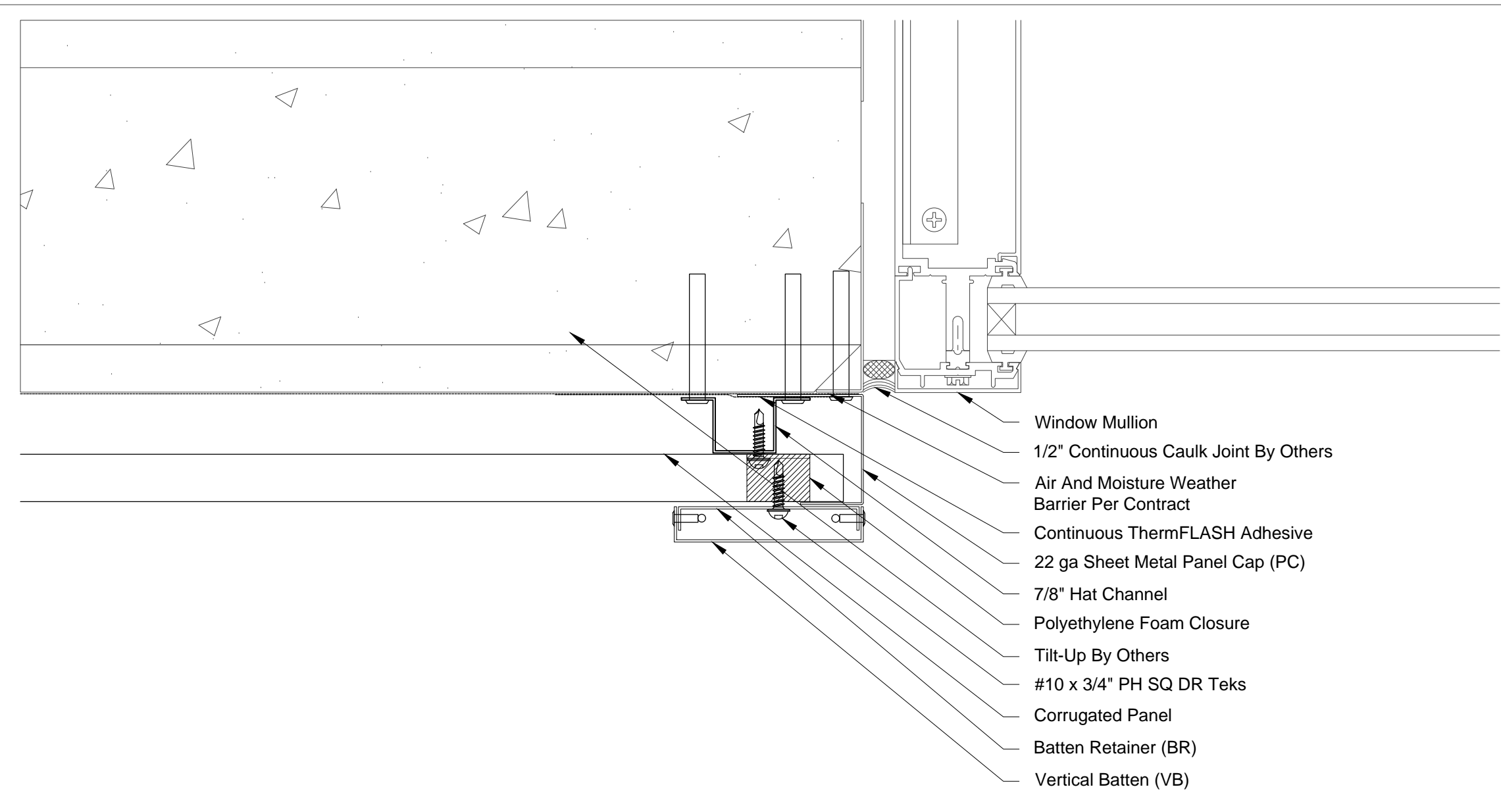


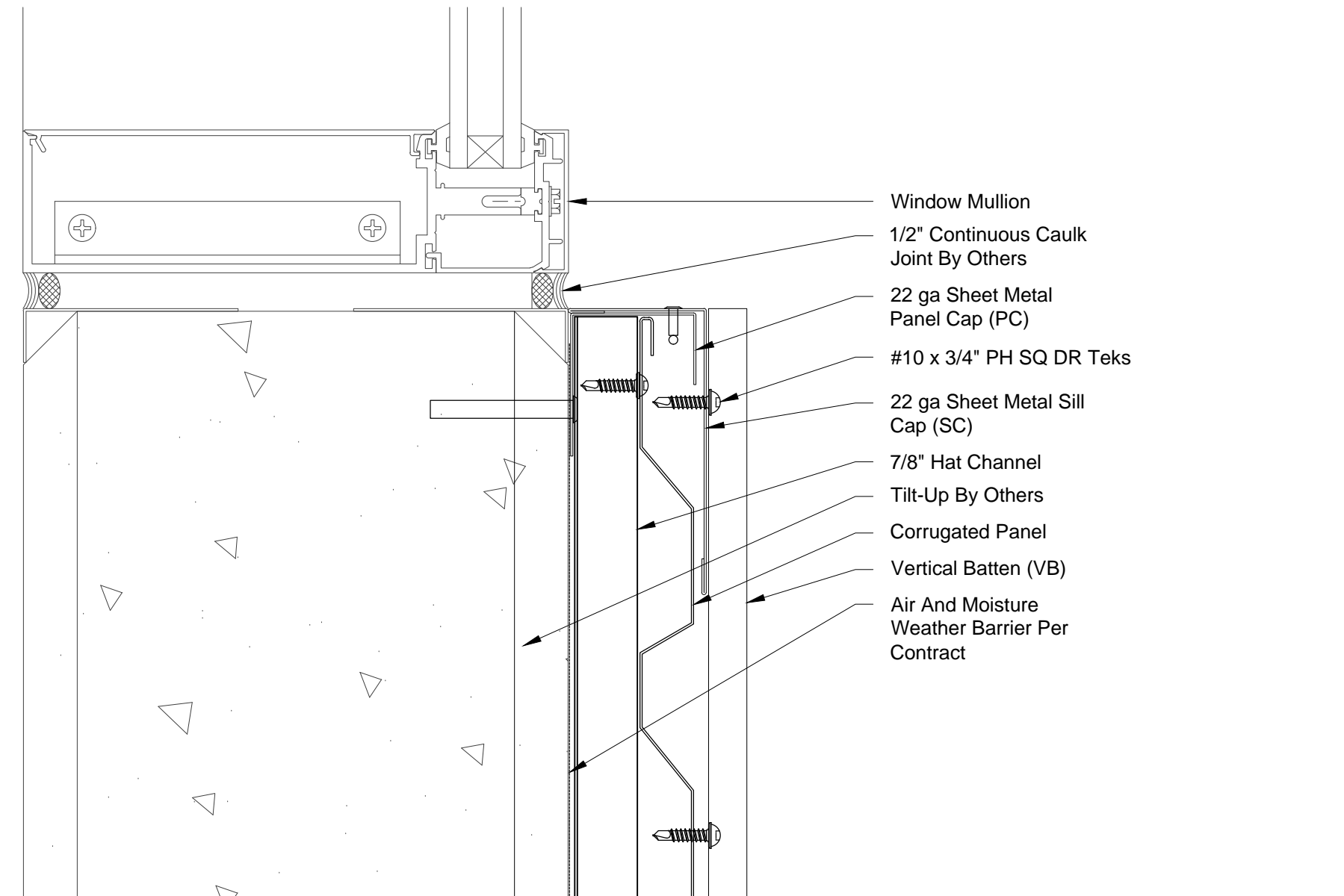
01 Corrugated @ Window Header - Tilt-up
6" = 1'-0"



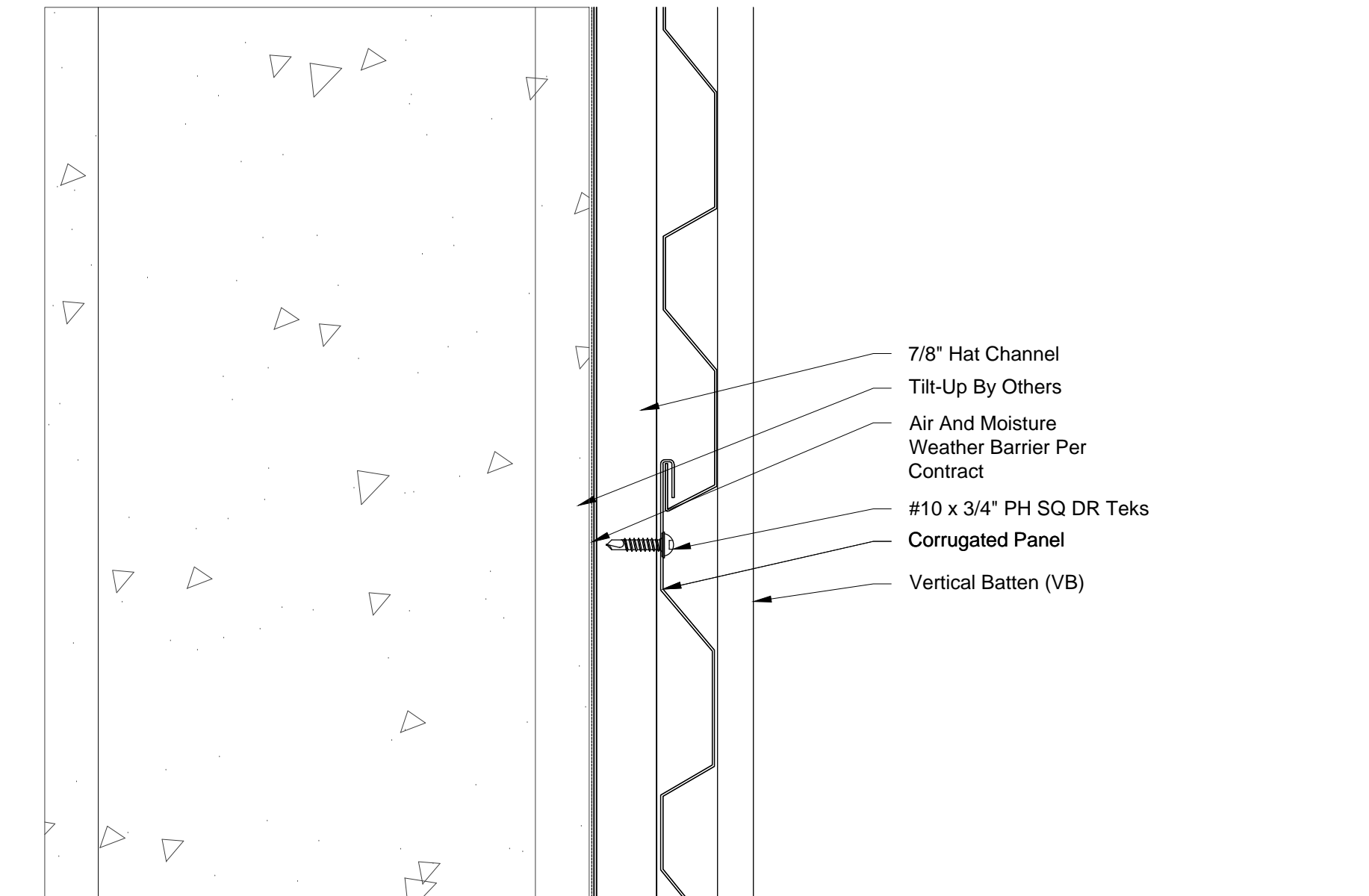
04 Corrugated @ Sheet Metal Top Cap - Tilt-up
6" = 1'-0"



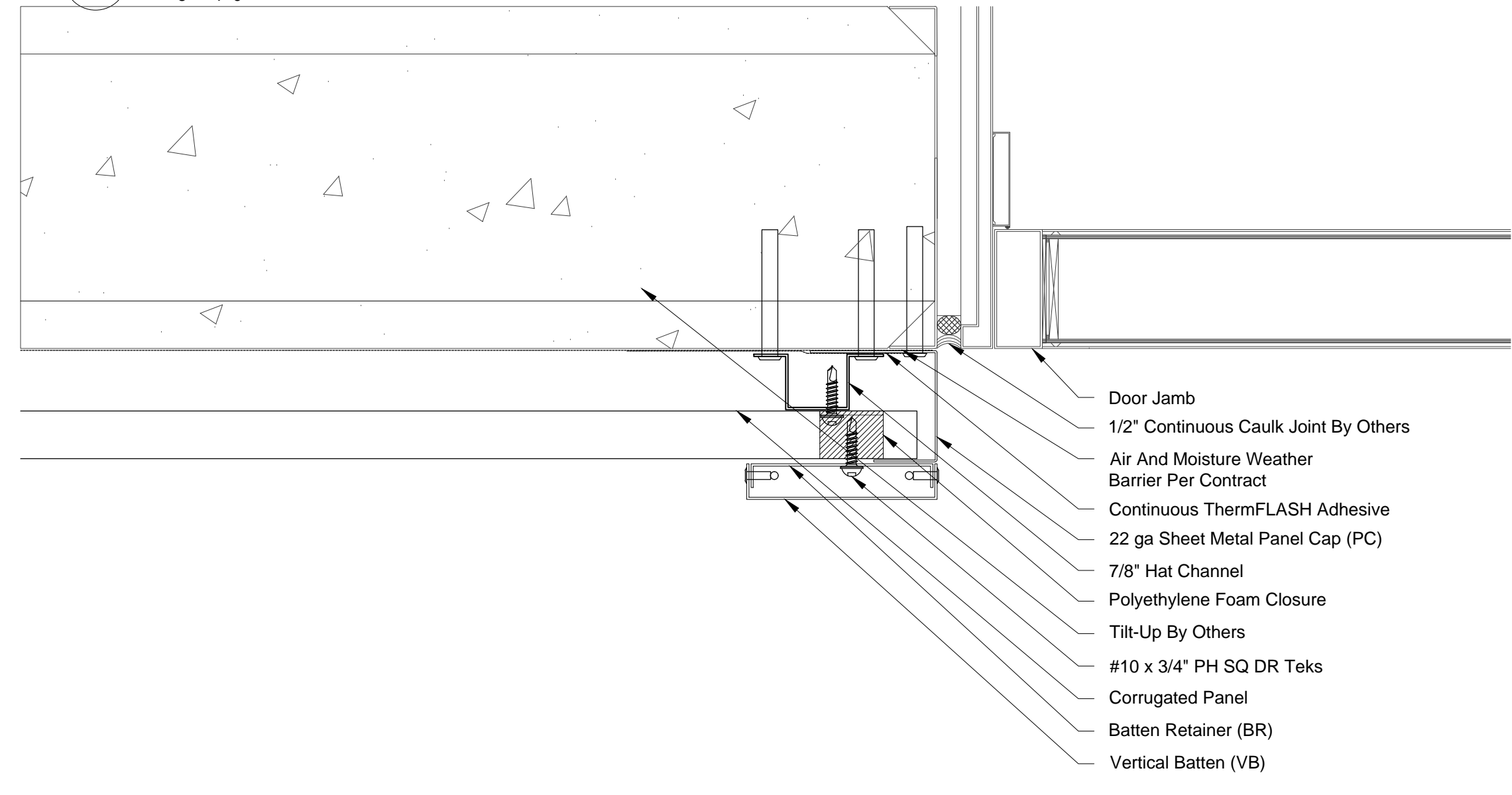
07 Corrugated @ Window Mullion - Tilt-up
6" = 1'-0"



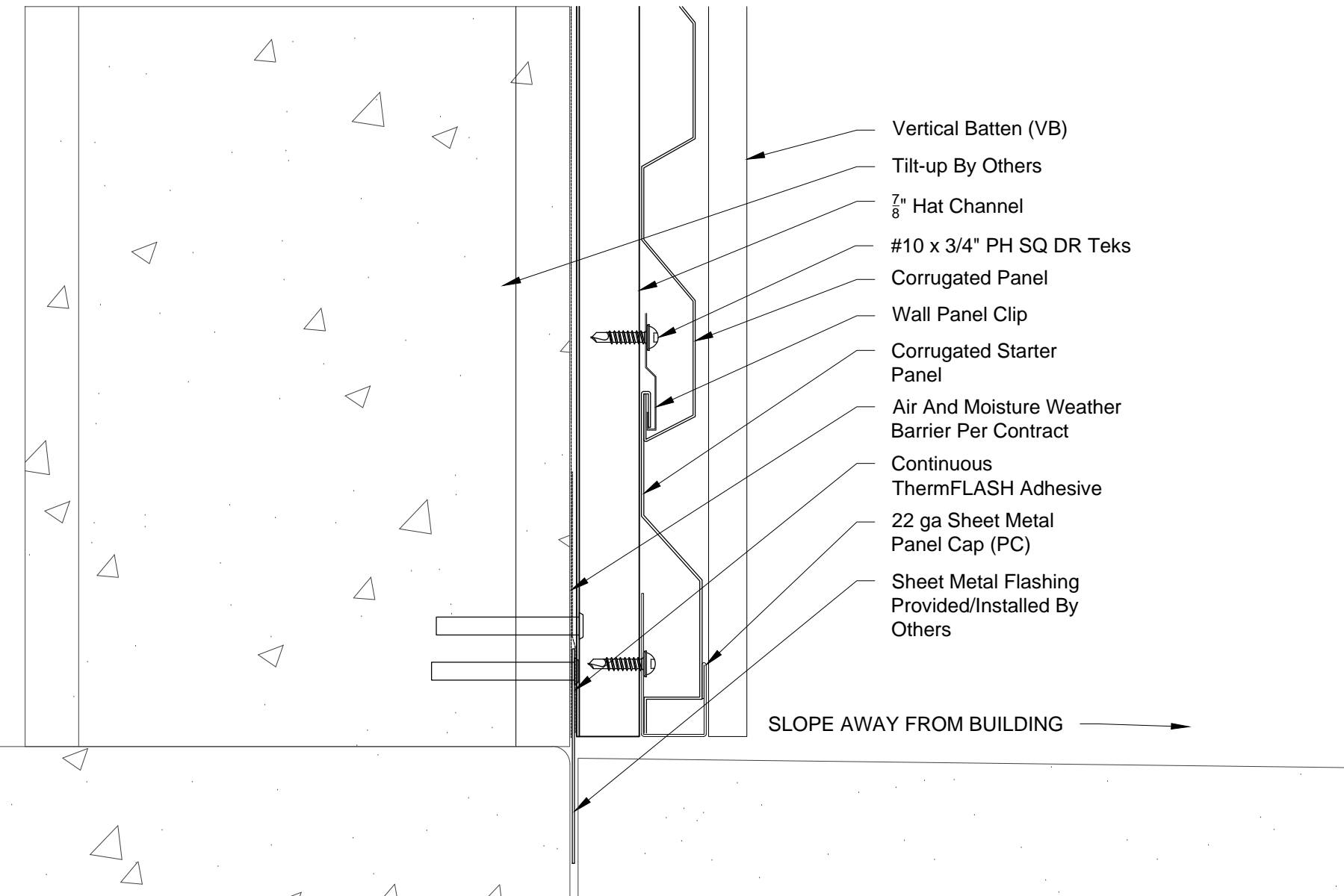
02 Corrugated @ Window Sill - Tilt-up
6" = 1'-0"



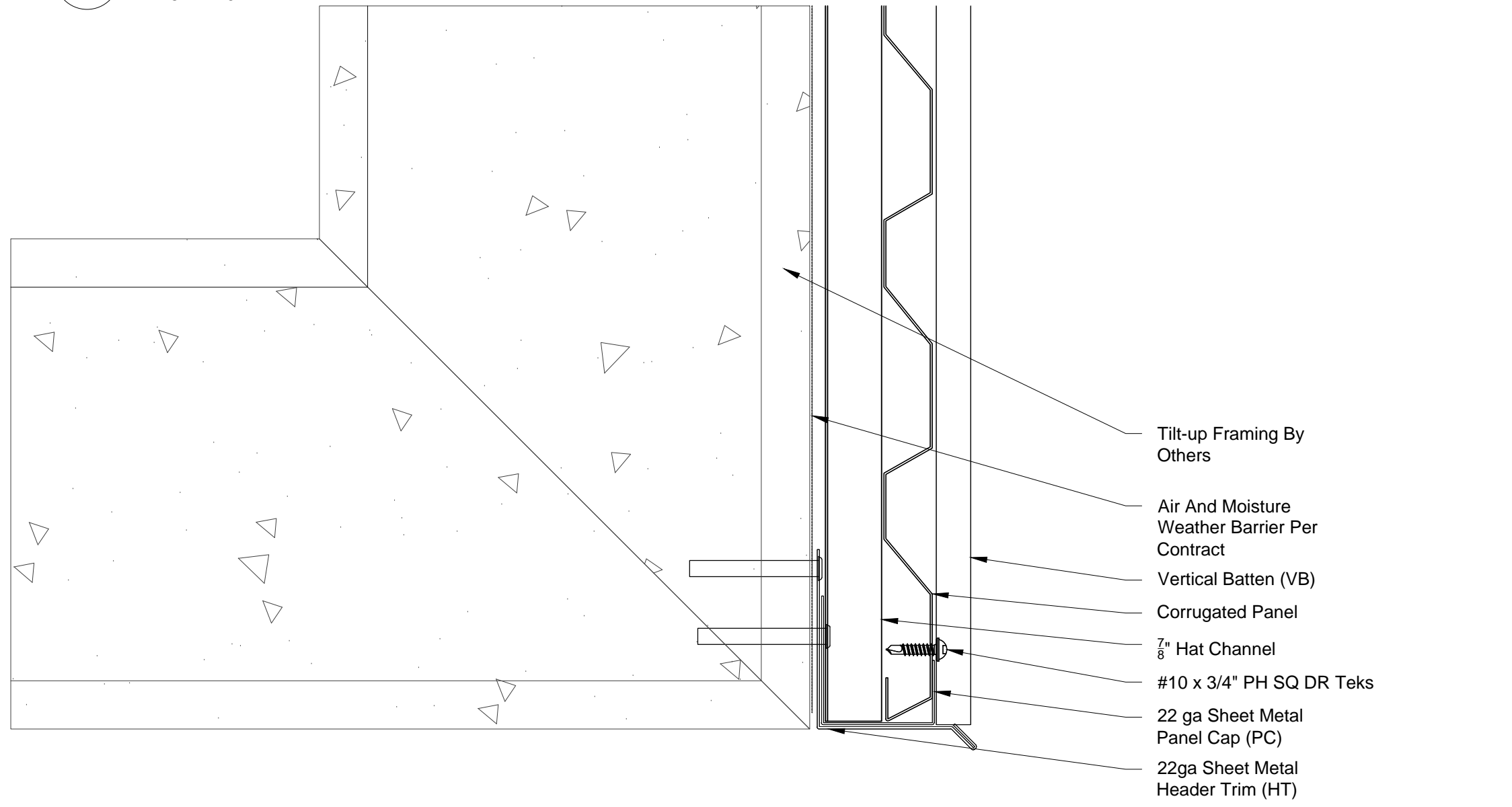
05 Corrugated @ Panel Joint - Tilt-up
6" = 1'-0"



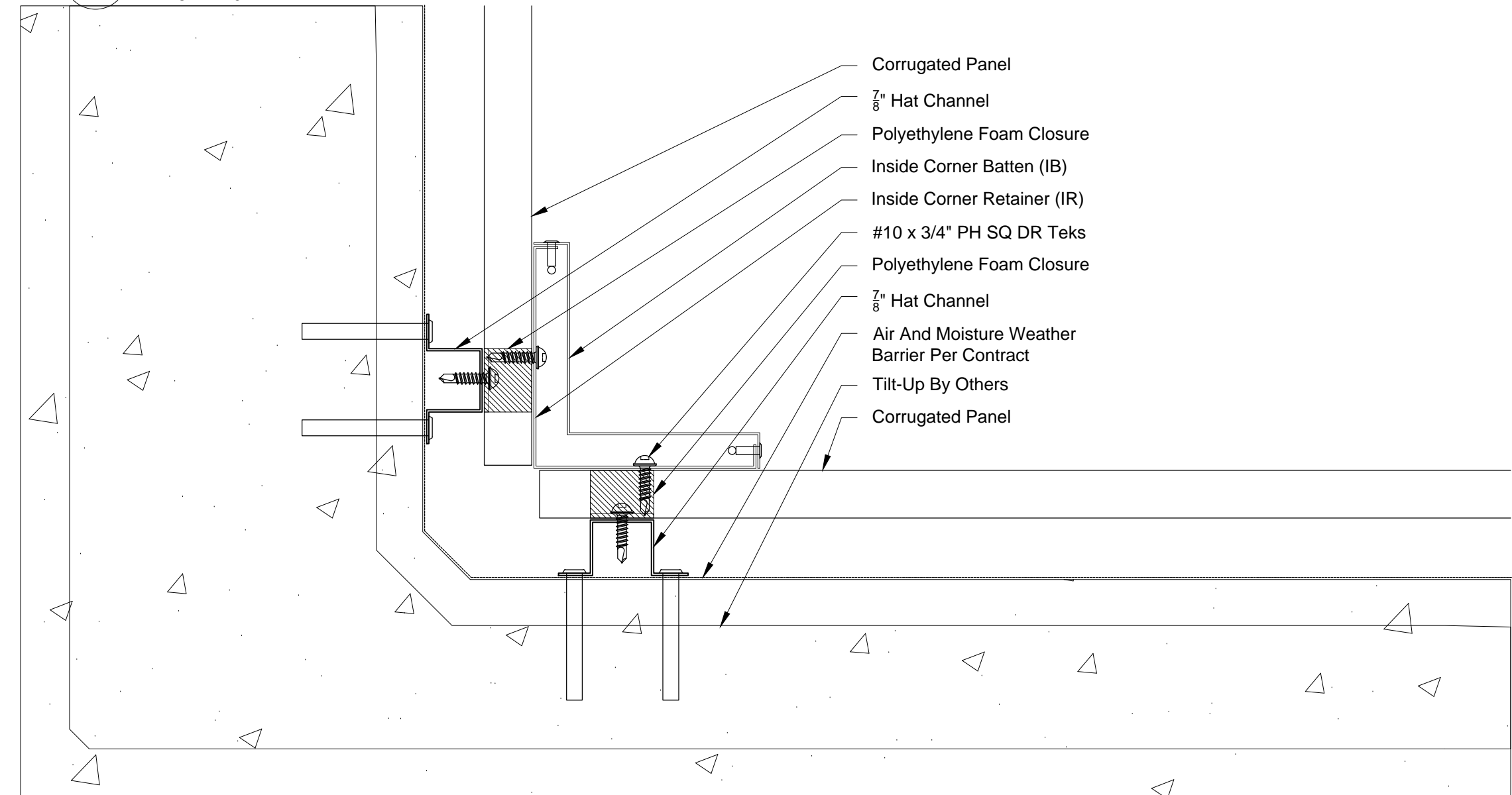
08 Corrugated @ Door Jamb - Tilt-up
6" = 1'-0"



03 Corrugated @ Base Condition - Tilt-up
6" = 1'-0"



06 Corrugated @ Soffit Termination - Tilt-up
6" = 1'-0"



09 Corrugated @ Inside Corner - Tilt-up
6" = 1'-0"

Standard Corrugated Tilt-up Framing Details

IF YOU ARE INTERESTED IN USING THESE DETAILS IN YOUR DESIGN SHEETS, PLEASE CONTACT BESTWORTHROMMEL FOR ADDITIONAL CAD DRAWINGS, OR FURTHER INFORMATION REGARDING OUR PANEL SYSTEMS.



BESTWORTHROMMEL
19818 74TH Ave. N.E.
Arlington, WA 98223
360.435.2927 PHONE - 360.435.3617 FAX
www.bestworth.com