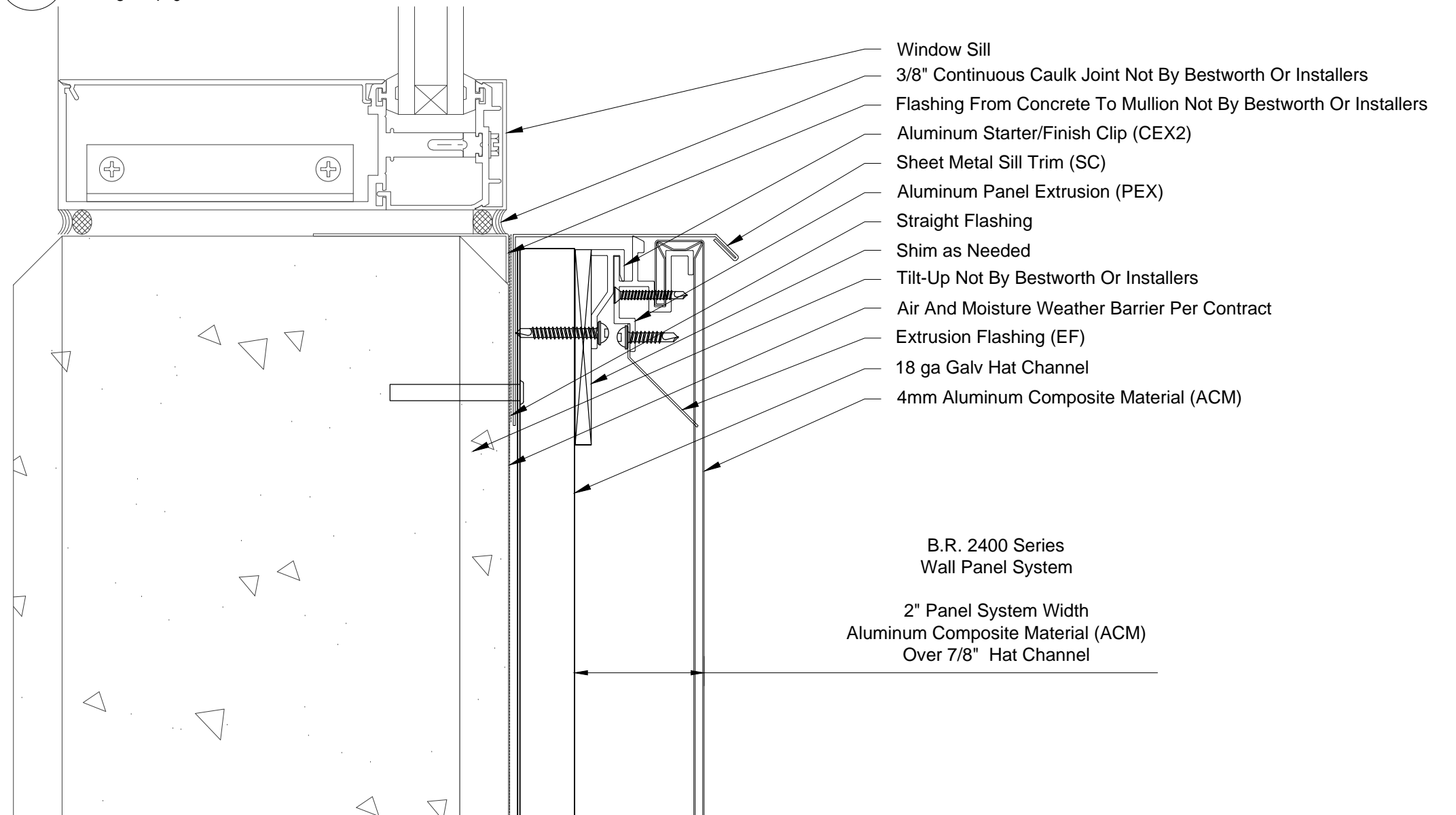
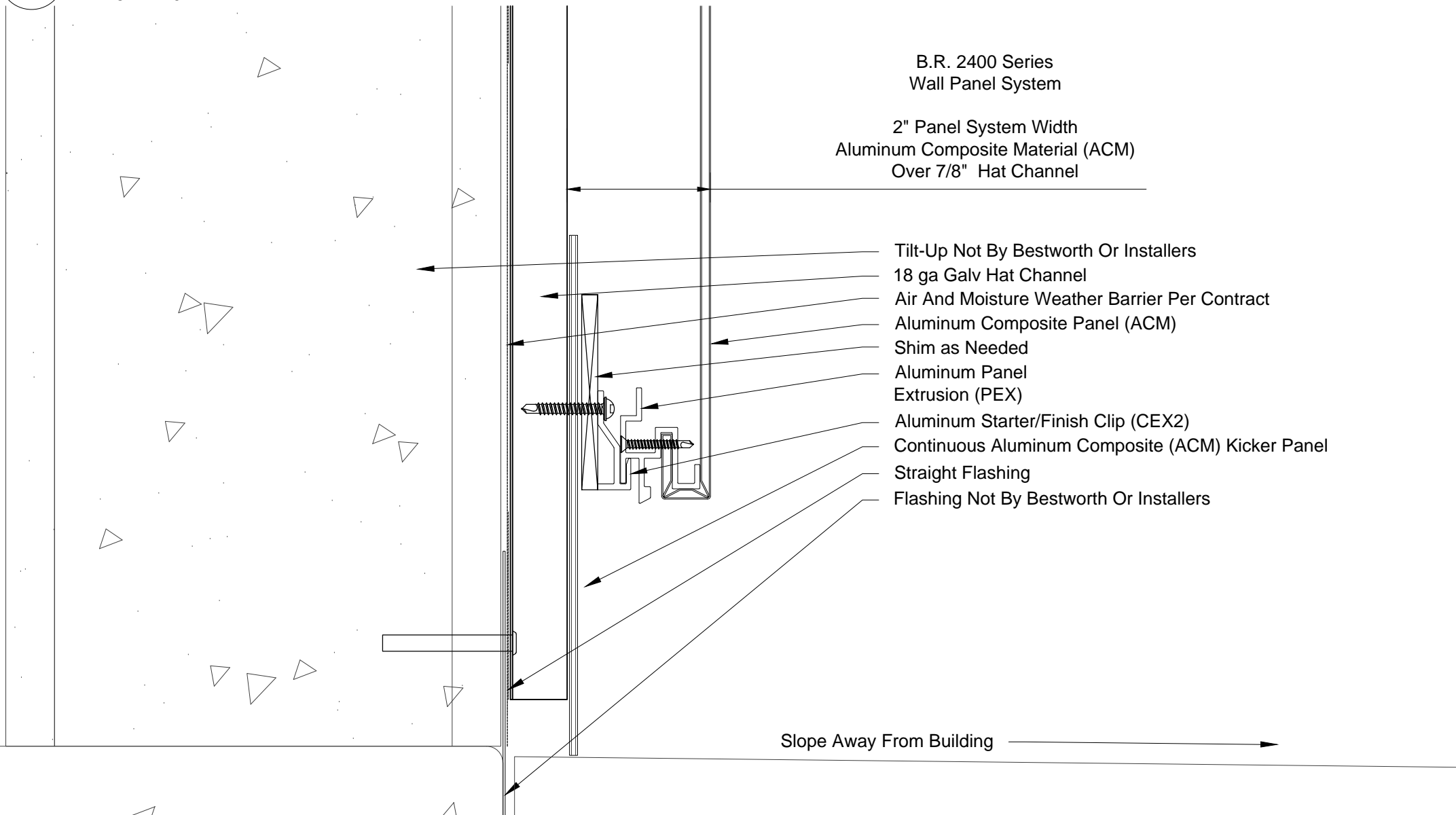


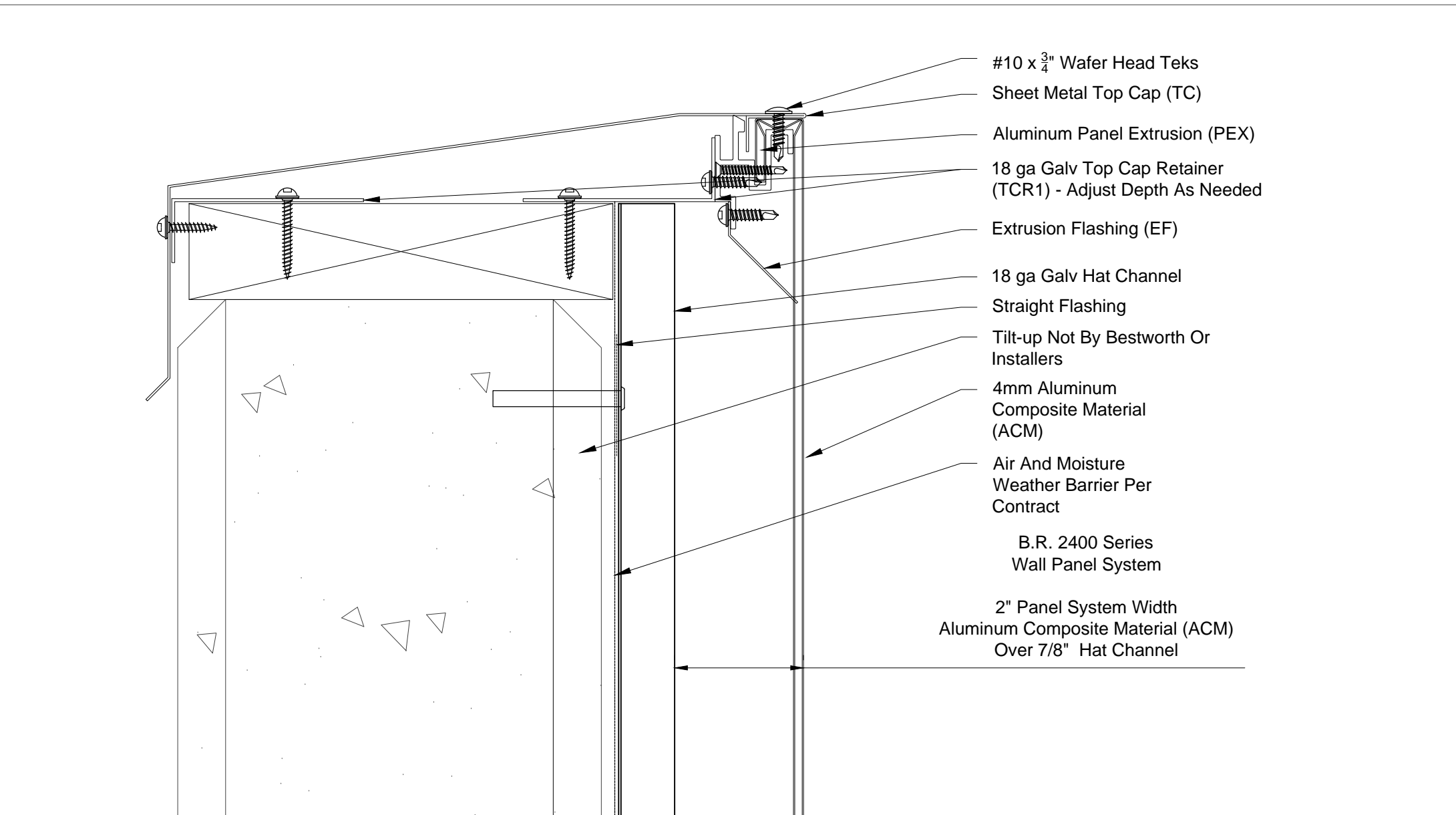
01 2400 ACM @ Window Header - Tilt Up
6" = 1'-0"



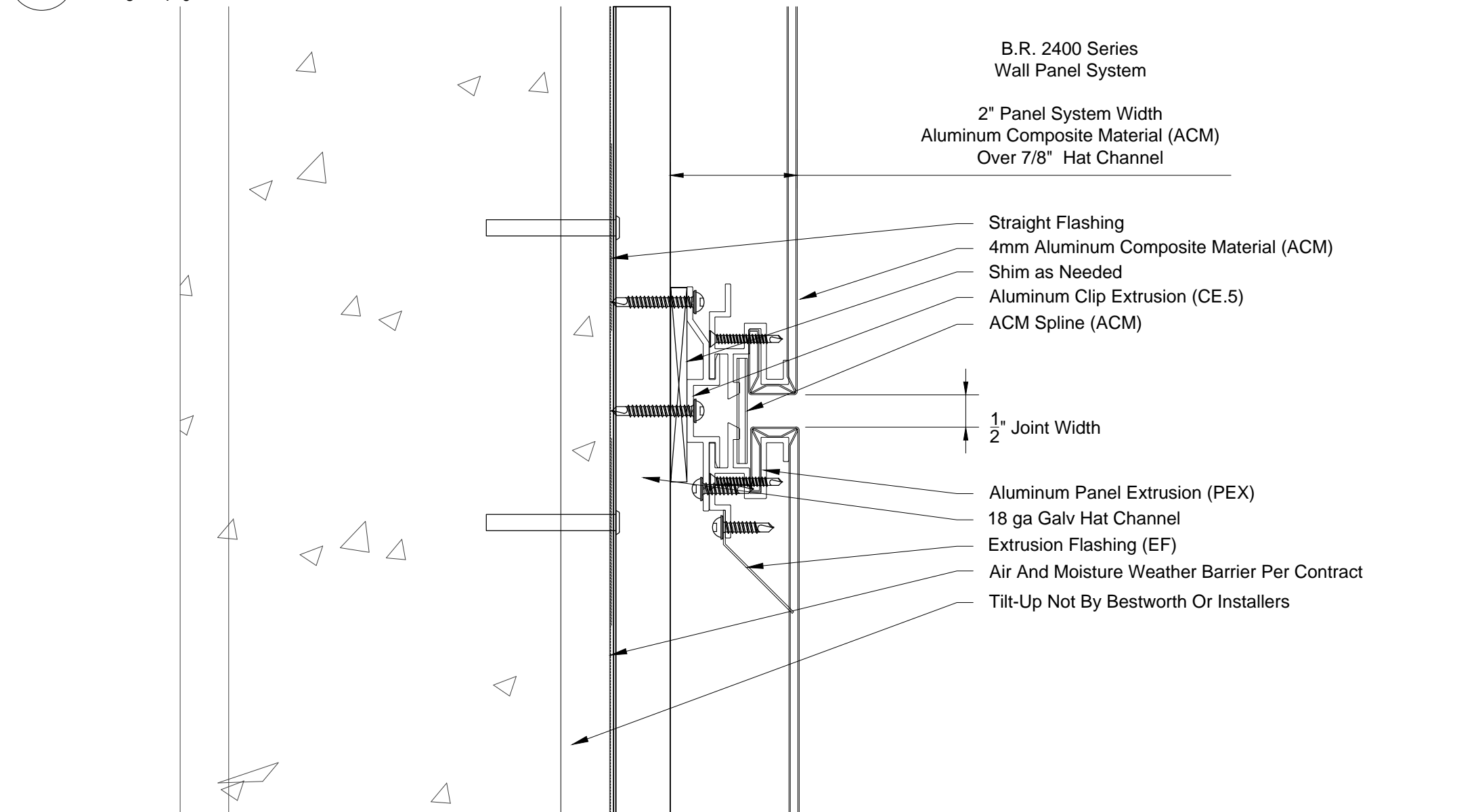
02 2400 ACM @ Window Sill - Tilt Up
6" = 1'-0"



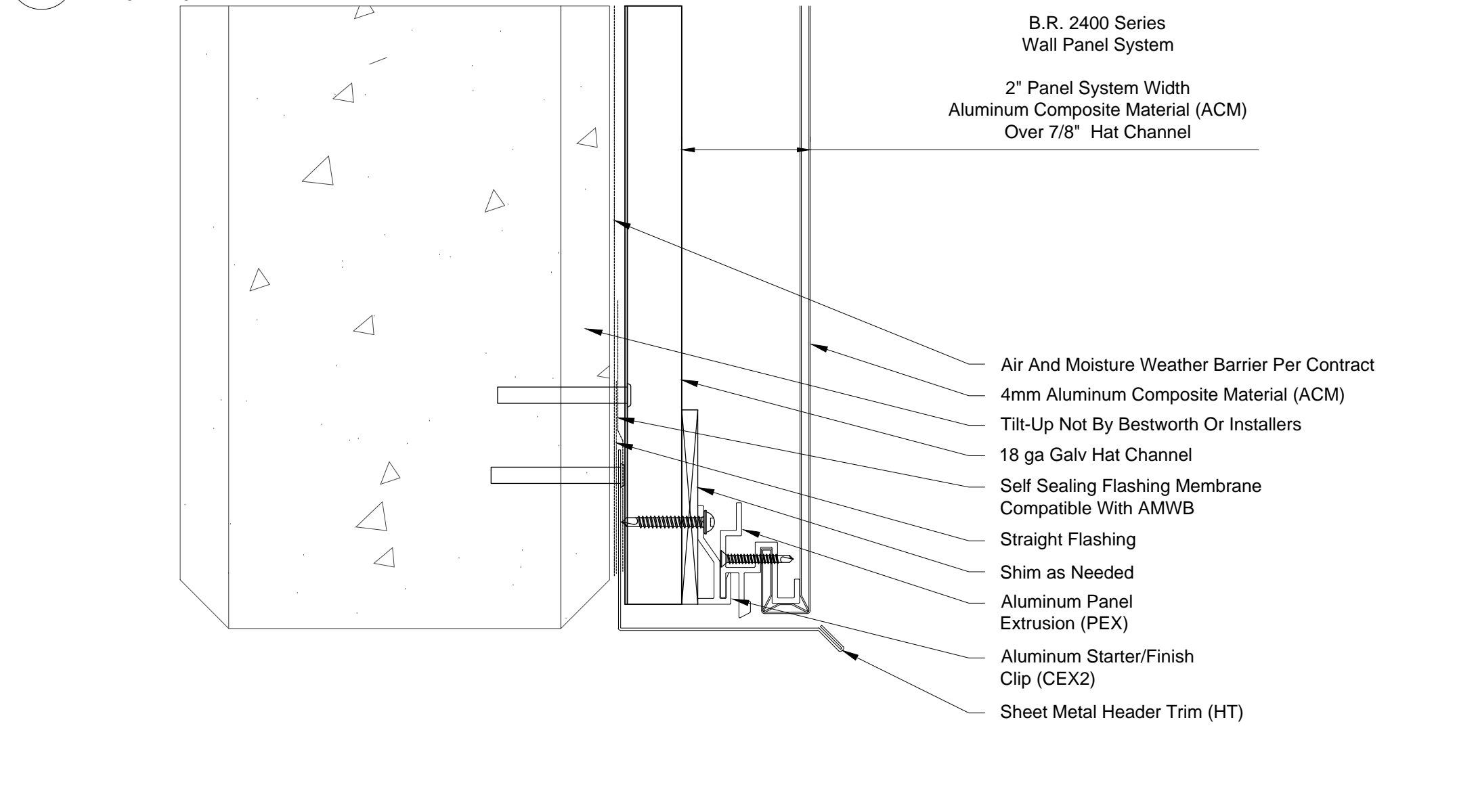
03 2400 ACM @ Base Condition - Tilt Up
6" = 1'-0"



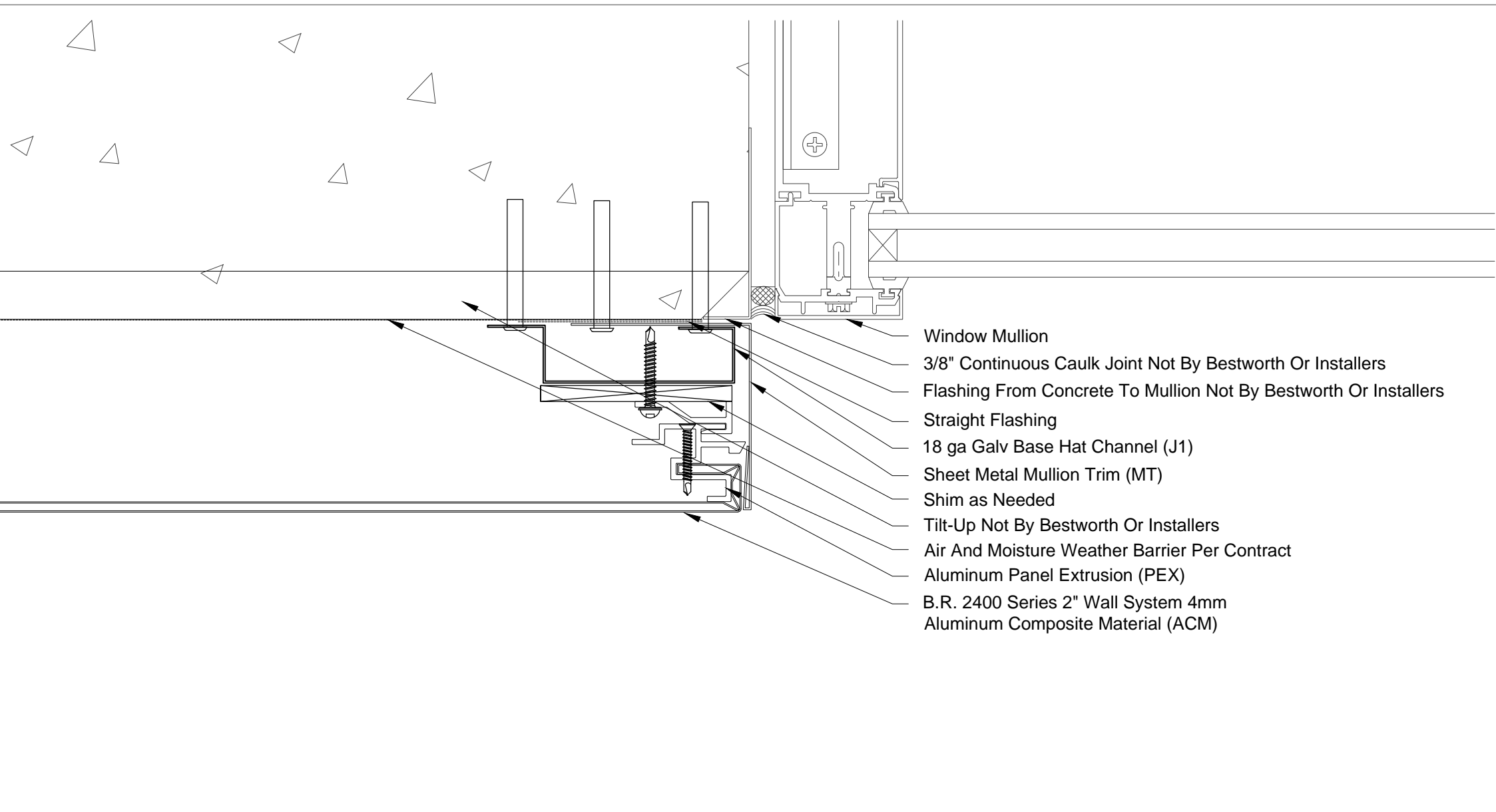
04 2400 ACM @ Sheet Metal Top Cap - Tilt Up
6" = 1'-0"



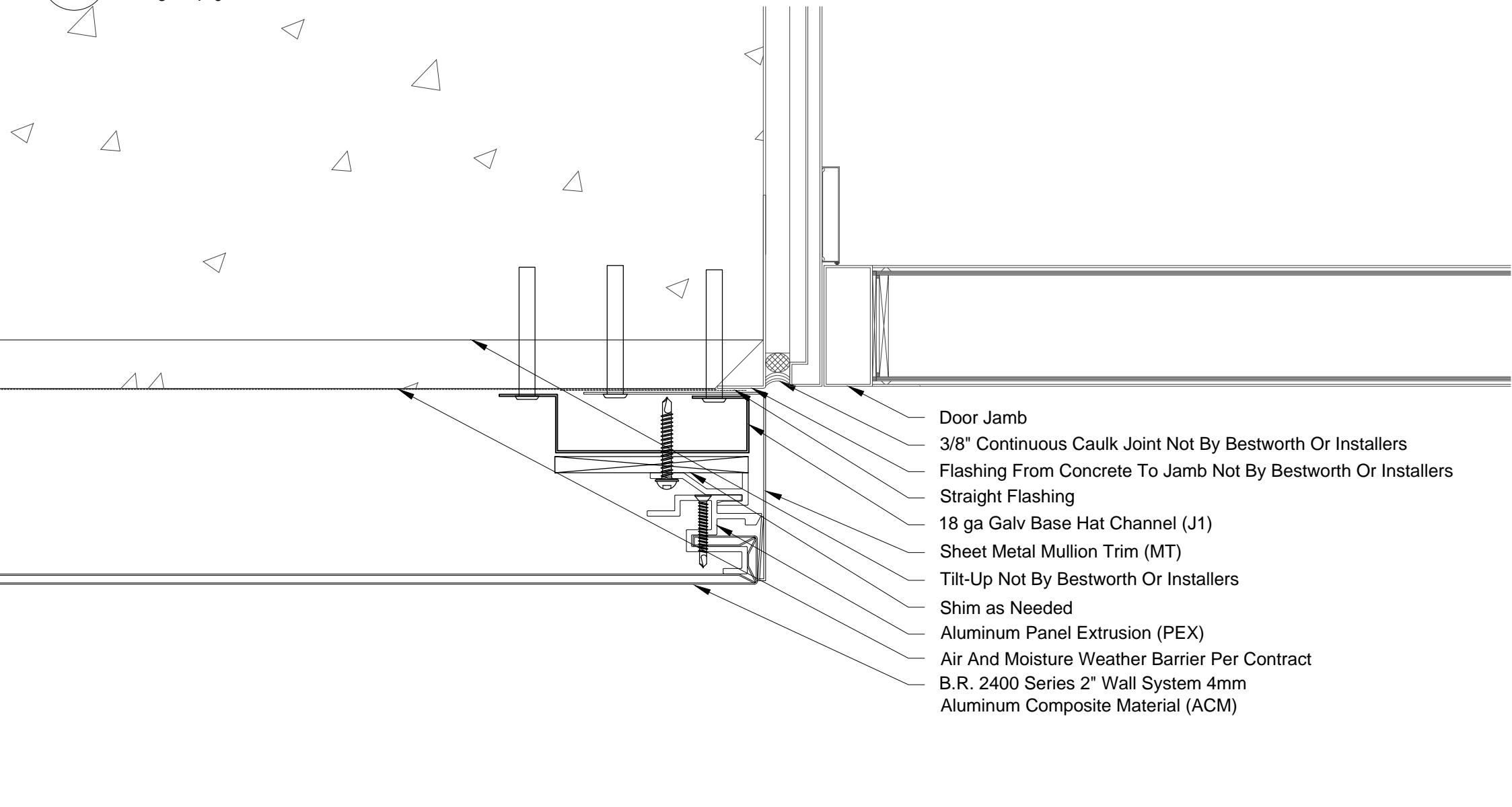
05 2400 ACM @ Panel Joint - Tilt Up
6" = 1'-0"



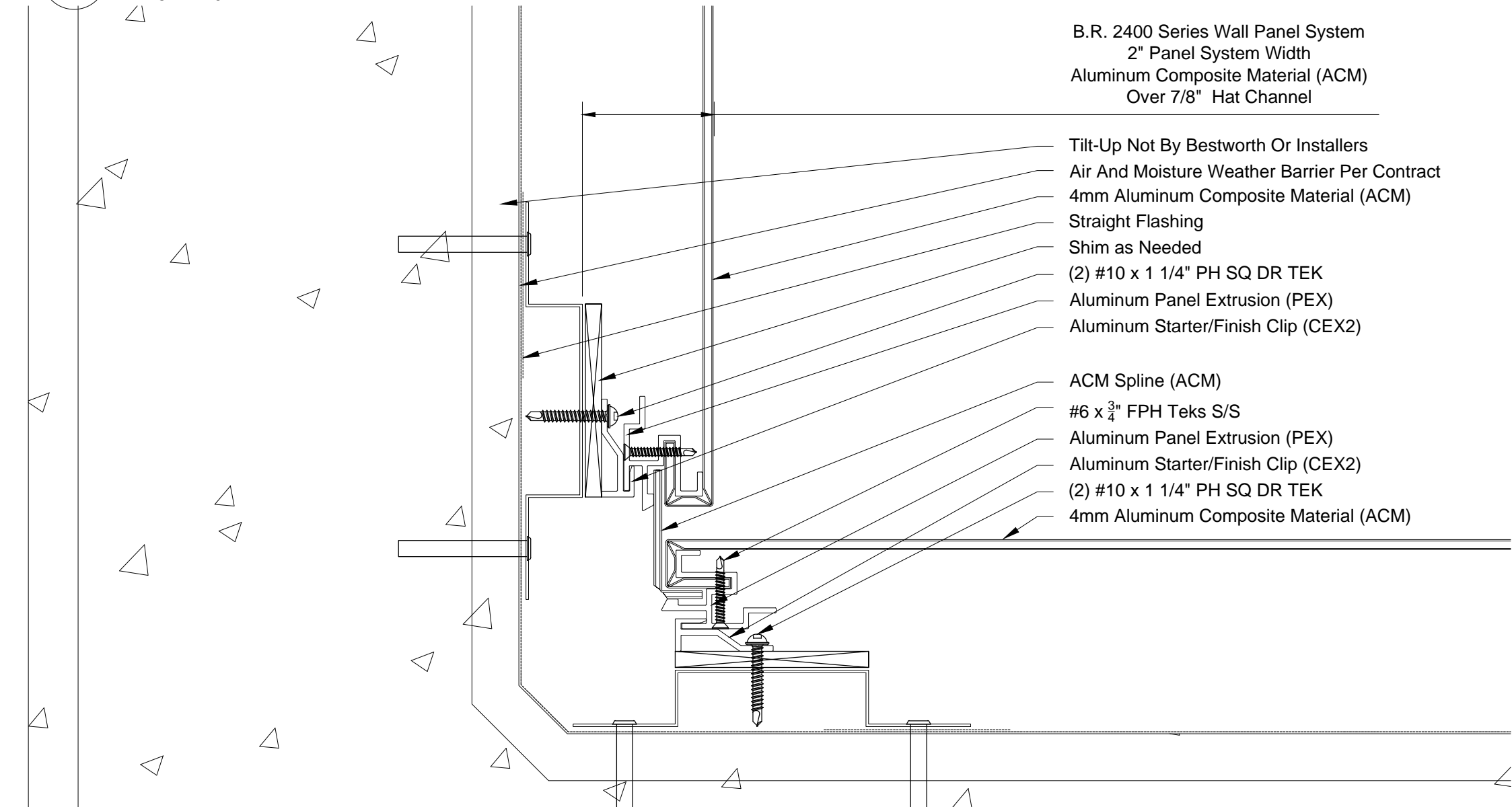
06 2400 ACM @ Soffit Termination - Tilt Up
6" = 1'-0"



07 2400 ACM @ Window Mullion - Tilt Up
6" = 1'-0"



08 2400 ACM @ Door Jamb - Tilt Up
6" = 1'-0"



09 2400 ACM @ Inside Corner - Tilt Up
6" = 1'-0"

Standard 2400 ACM Tilt Up Details

IF YOU ARE INTERESTED IN USING THESE DETAILS IN YOUR DESIGN SHEETS, PLEASE CONTACT BESTWORTHROMMEL FOR ADDITIONAL CAD DRAWINGS, OR FURTHER INFORMATION REGARDING OUR PANEL SYSTEMS.



BESTWORTHROMMEL
19818 74TH Ave. N.E.
Arlington, WA 98223
360.435.2927 PHONE - 360.435.3617 FAX
www.bestworth.com