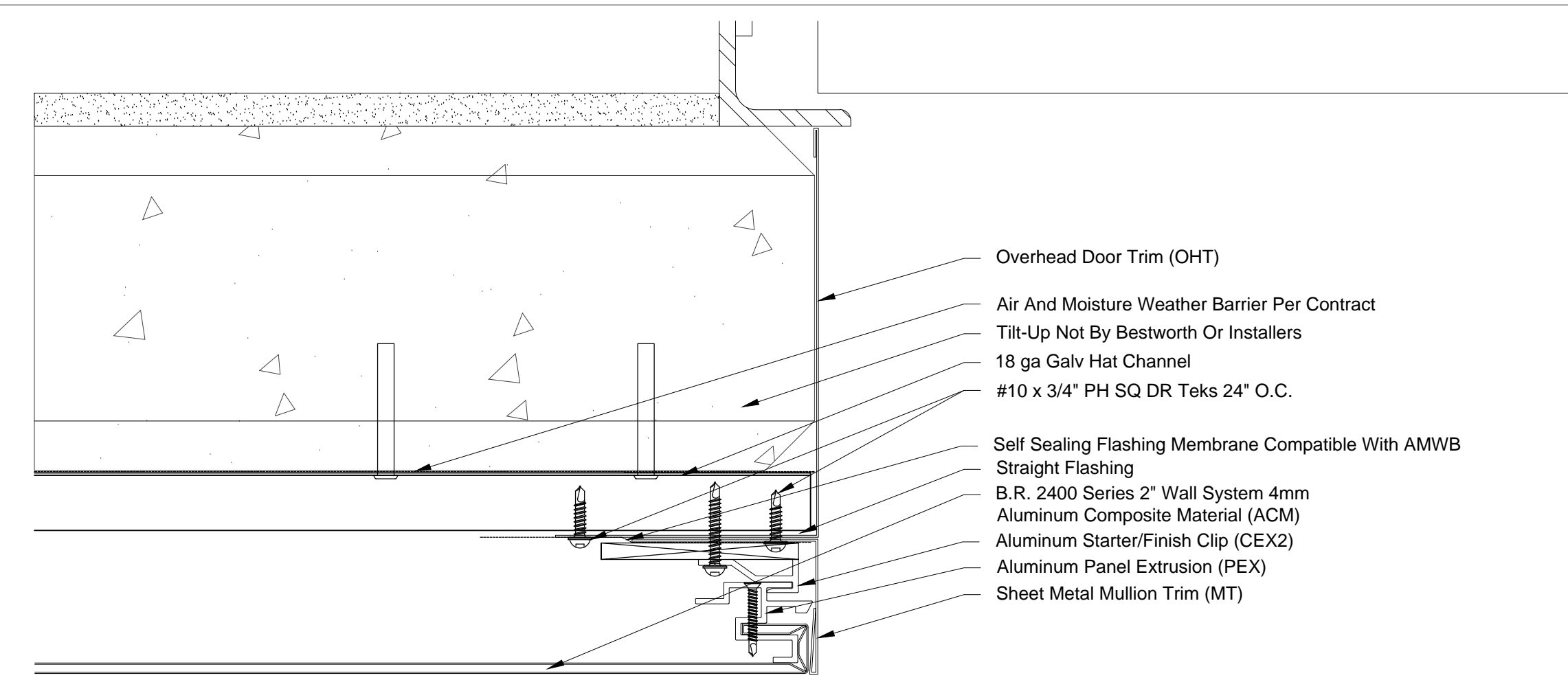
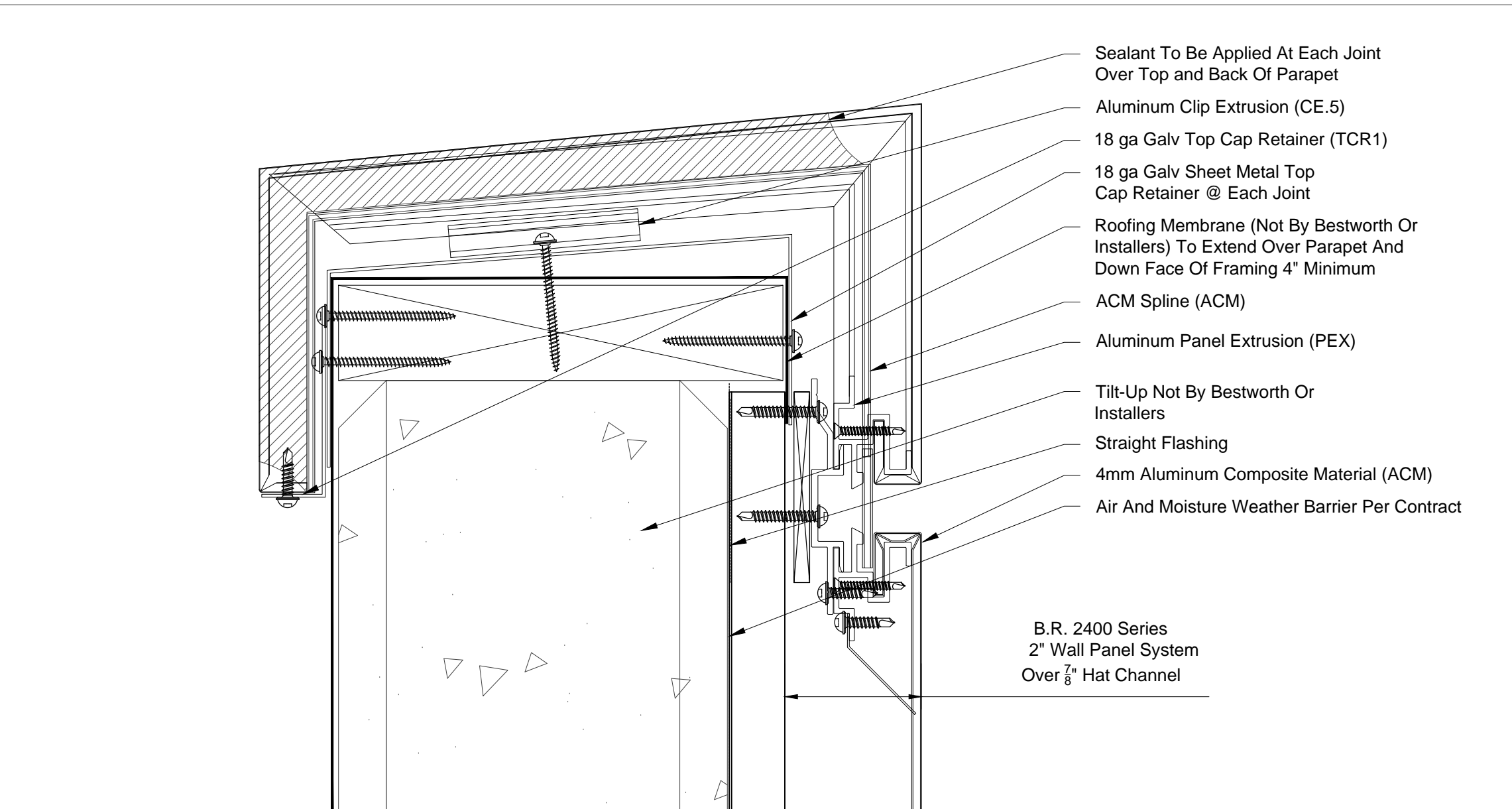


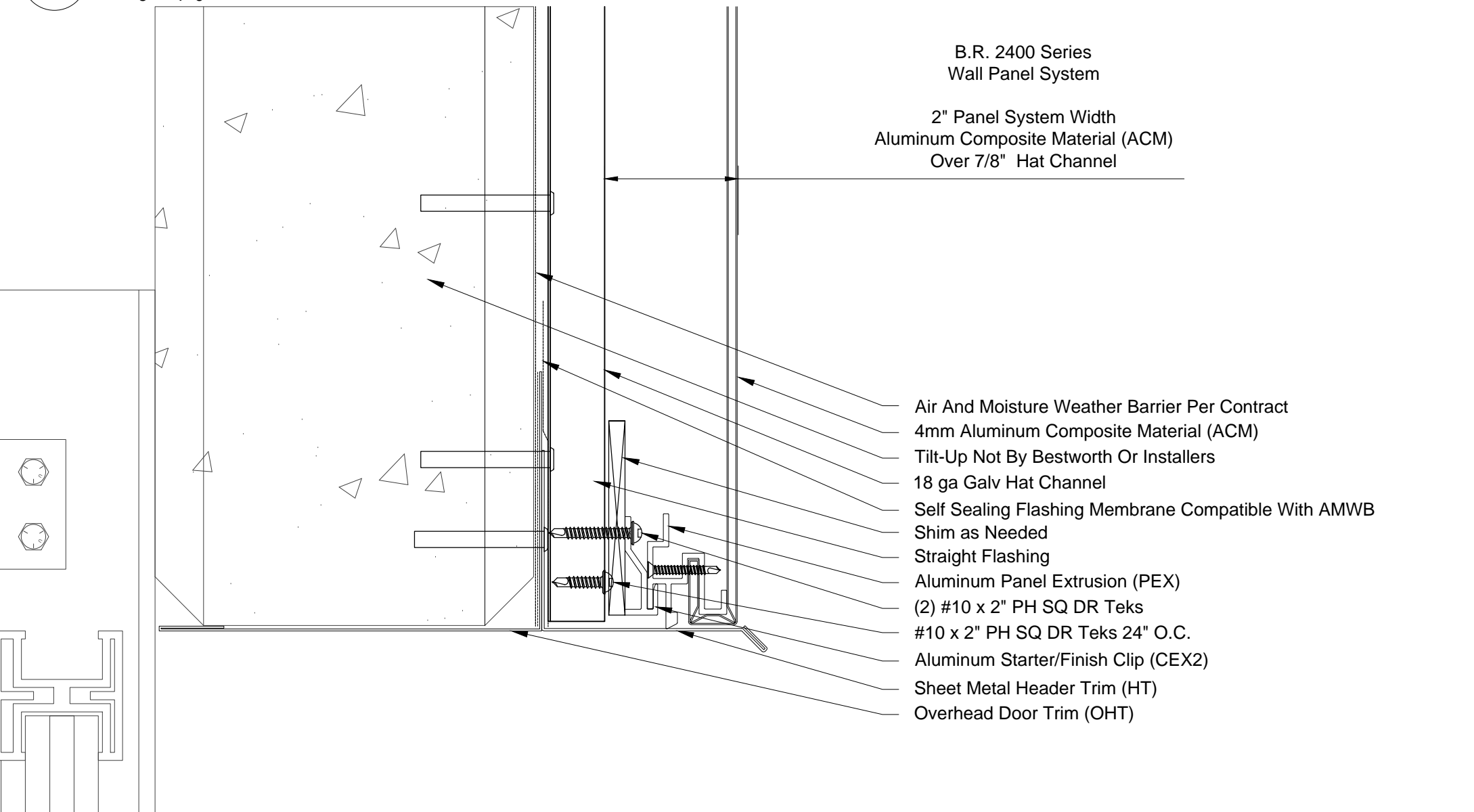
10 2400 ACM @ Door Header - Tilt Up



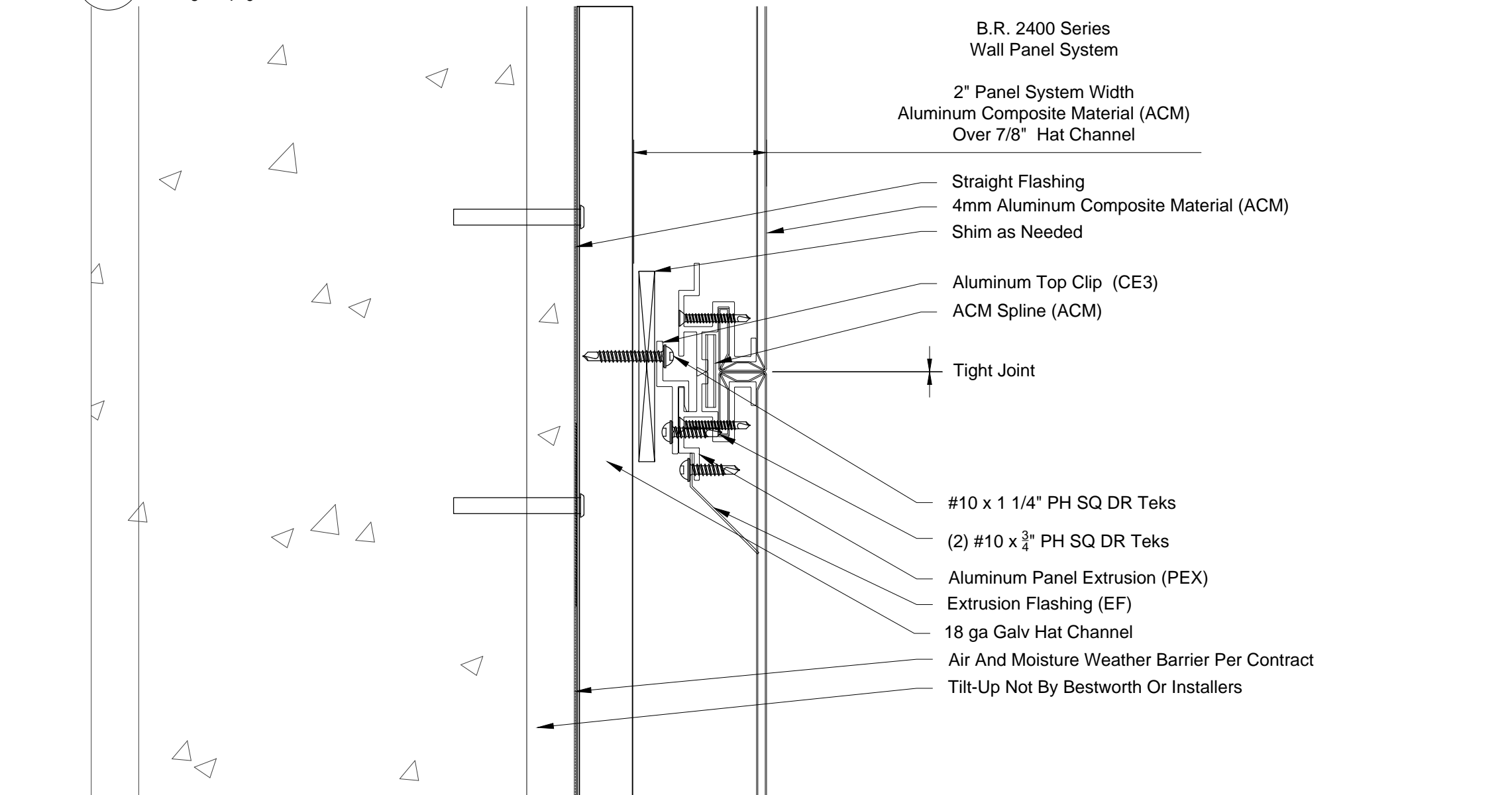
13 2400 ACM @ Overhead Door Jamb - Tilt Up



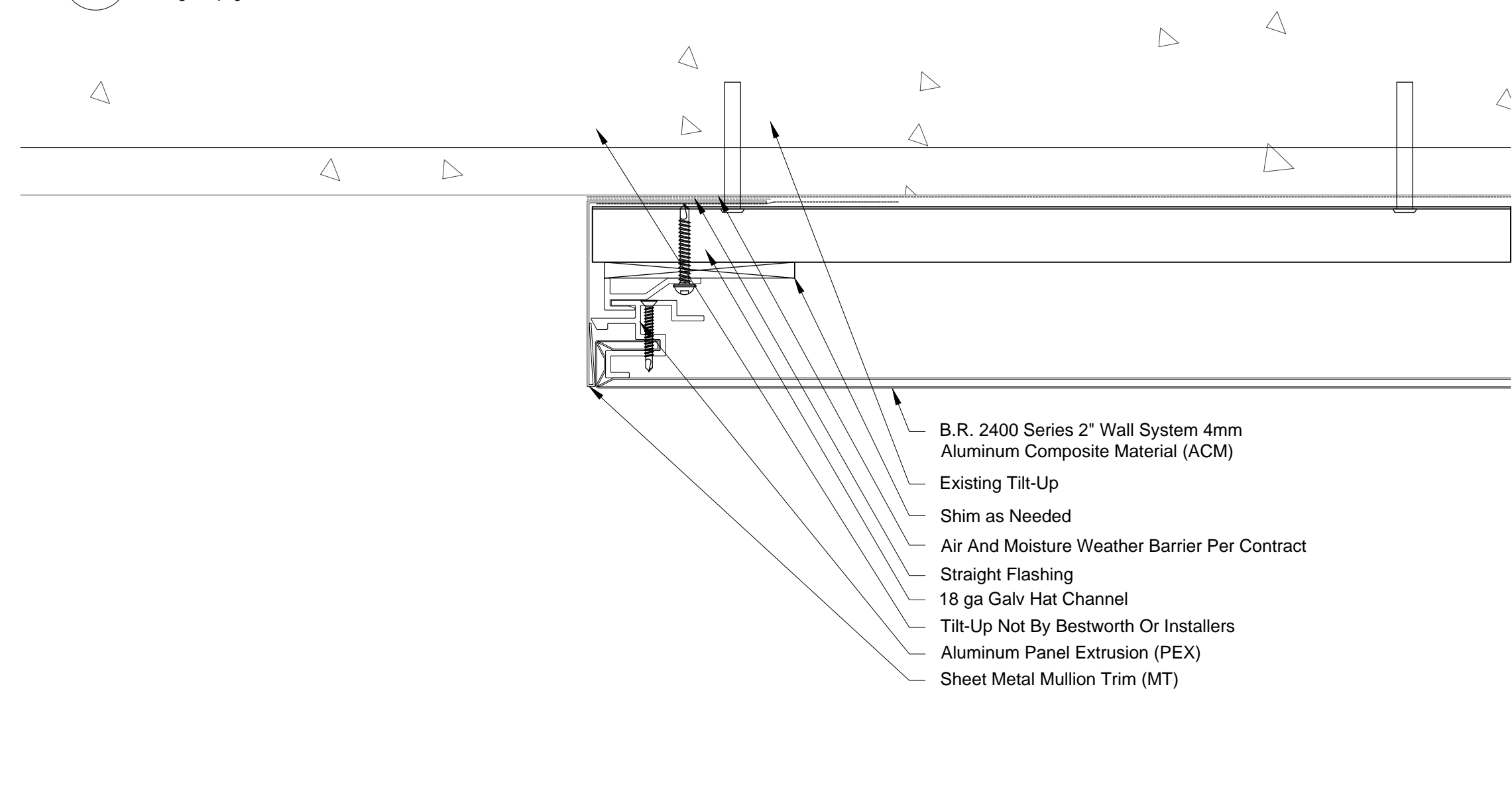
16 2400 ACM @ ACM Top Cap - Tilt Up



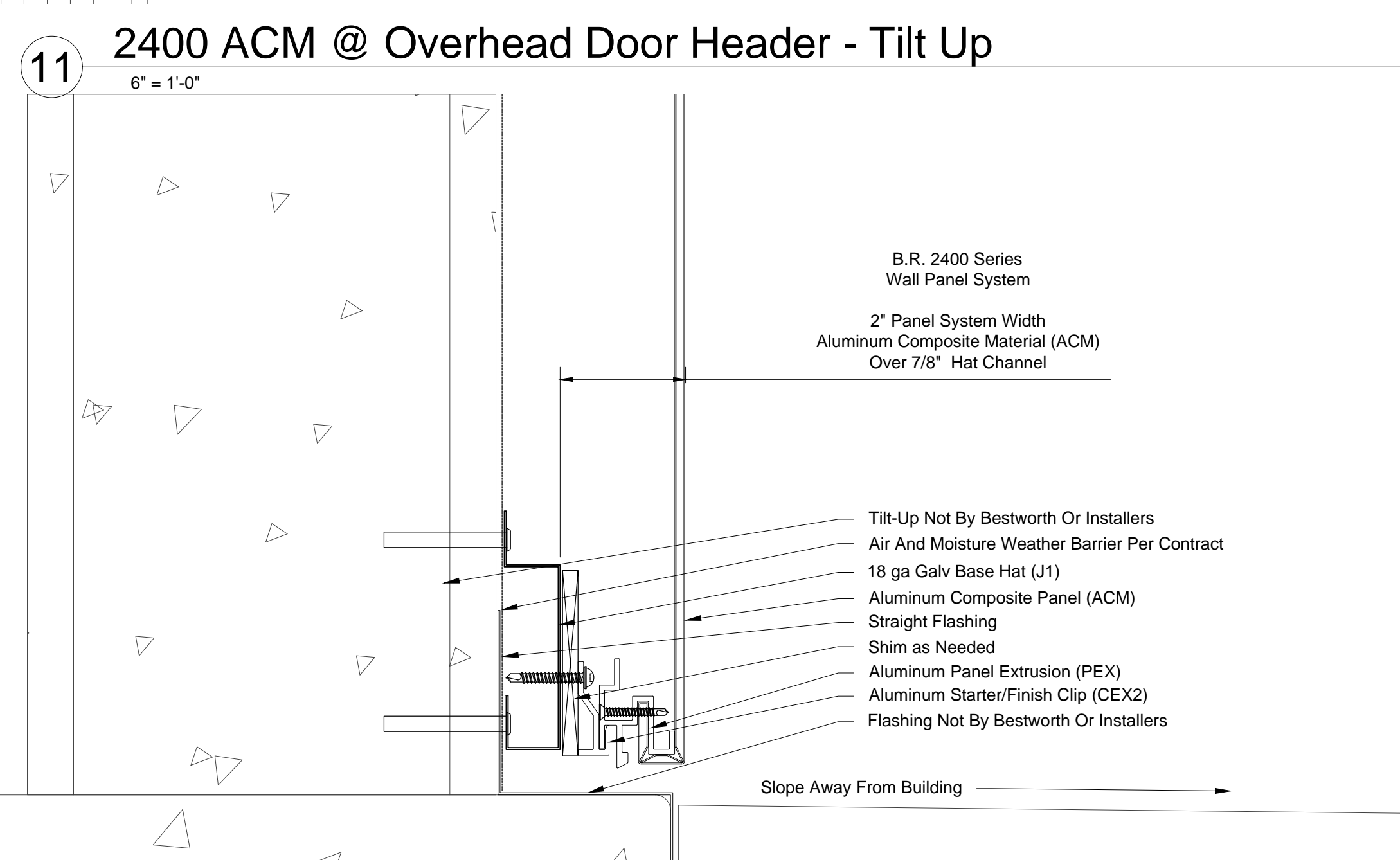
11 2400 ACM @ Overhead Door Header - Tilt Up



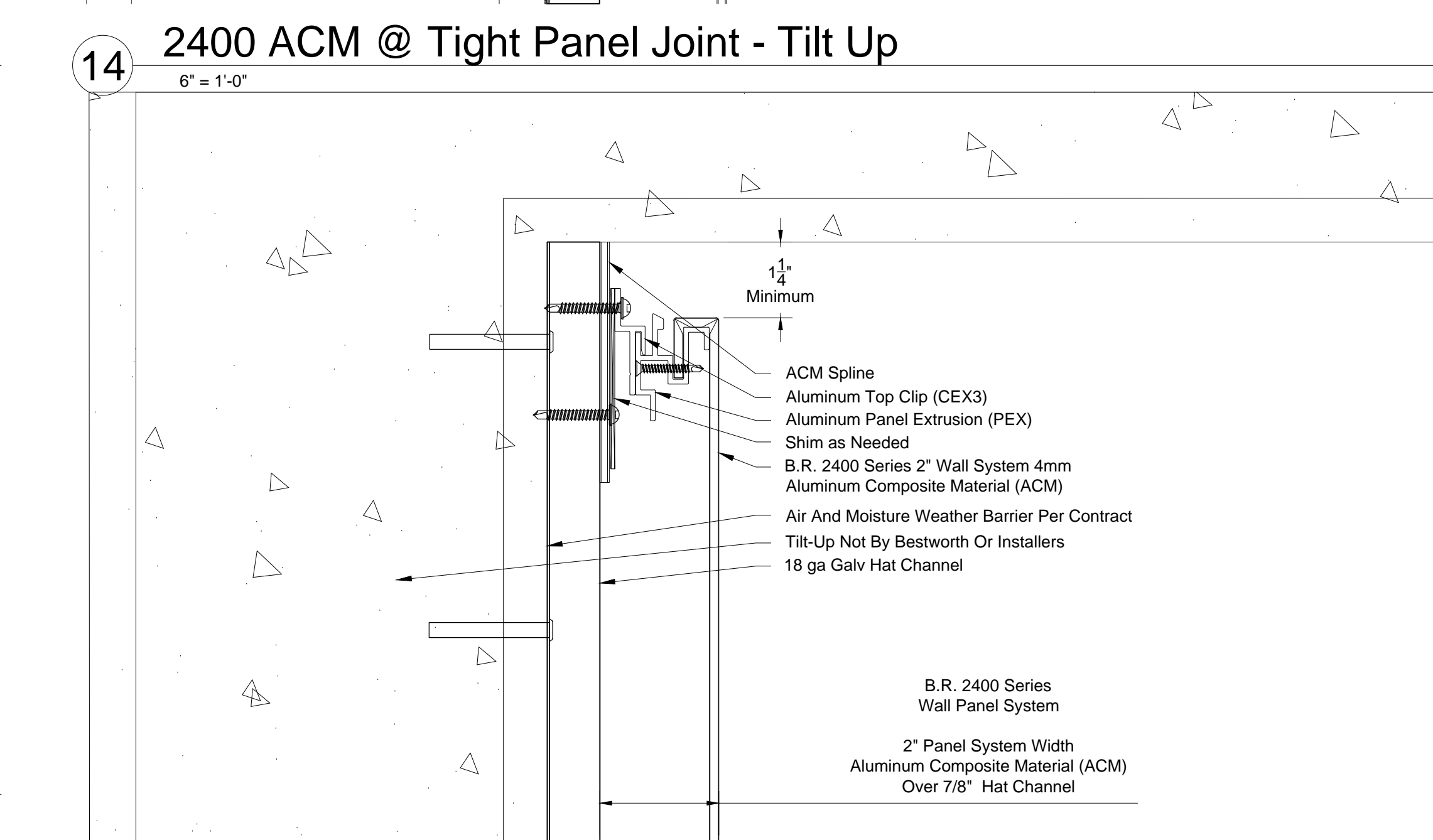
14 2400 ACM @ Tight Panel Joint - Tilt Up



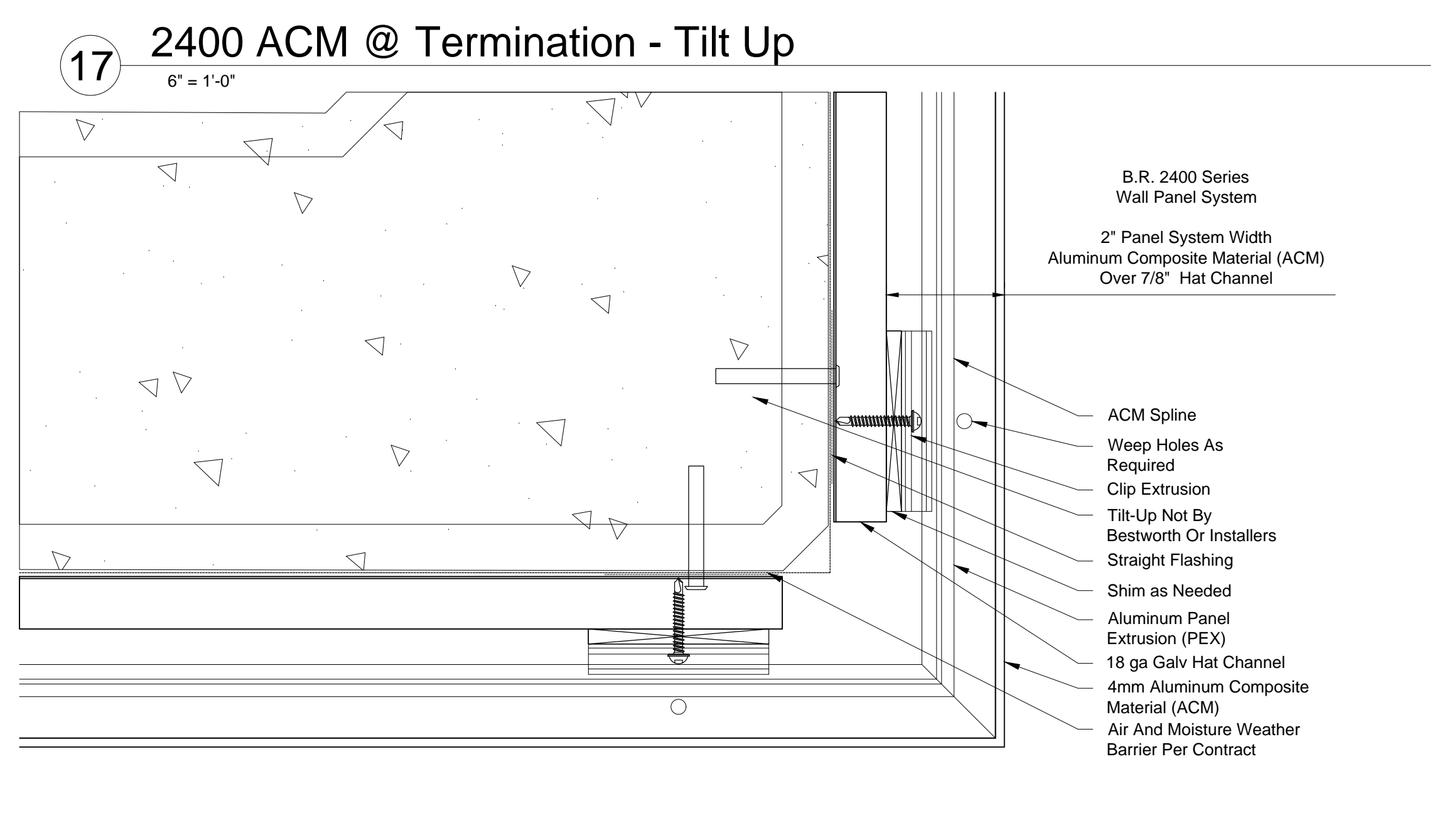
17 2400 ACM @ Termination - Tilt Up



12 2400 ACM @ Base Condition - Tilt Up



15 2400 ACM @ Soffit Termination - Tilt Up



18 2400 ACM @ Outside Corner - Tilt Up

Standard 2400 ACM Tilt Up Framing Details

IF YOU ARE INTERESTED IN USING THESE DETAILS IN YOUR DESIGN SHEETS, PLEASE CONTACT BESTWORTHROMMEL FOR ADDITIONAL CAD DRAWINGS, OR FURTHER INFORMATION REGARDING OUR PANEL SYSTEMS.



BESTWORTHROMMEL
19818 74TH Ave. N.E.
Arlington, WA 98223
360.435.2927 PHONE - 360.435.3617 FAX
www.bestworth.com