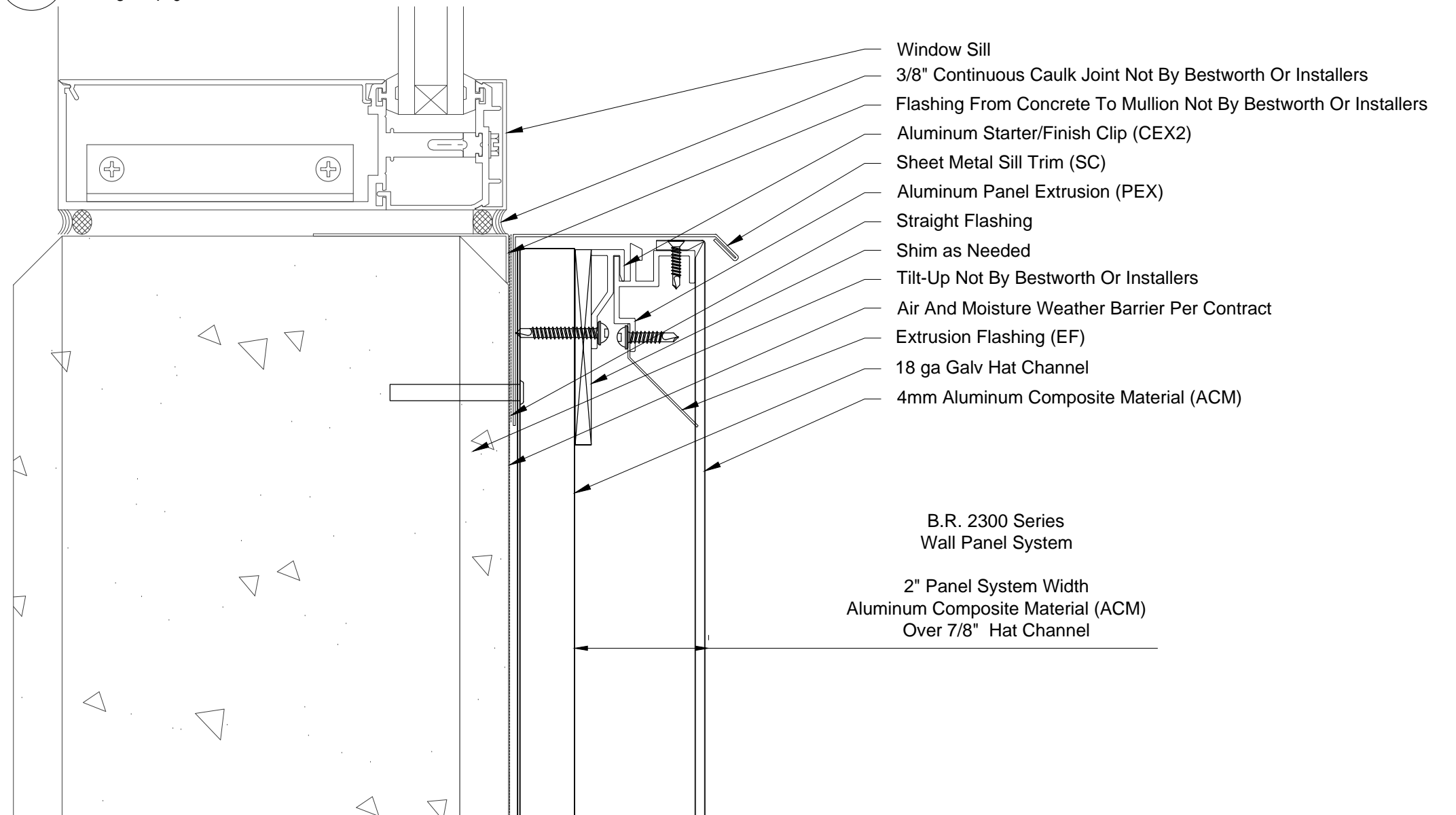
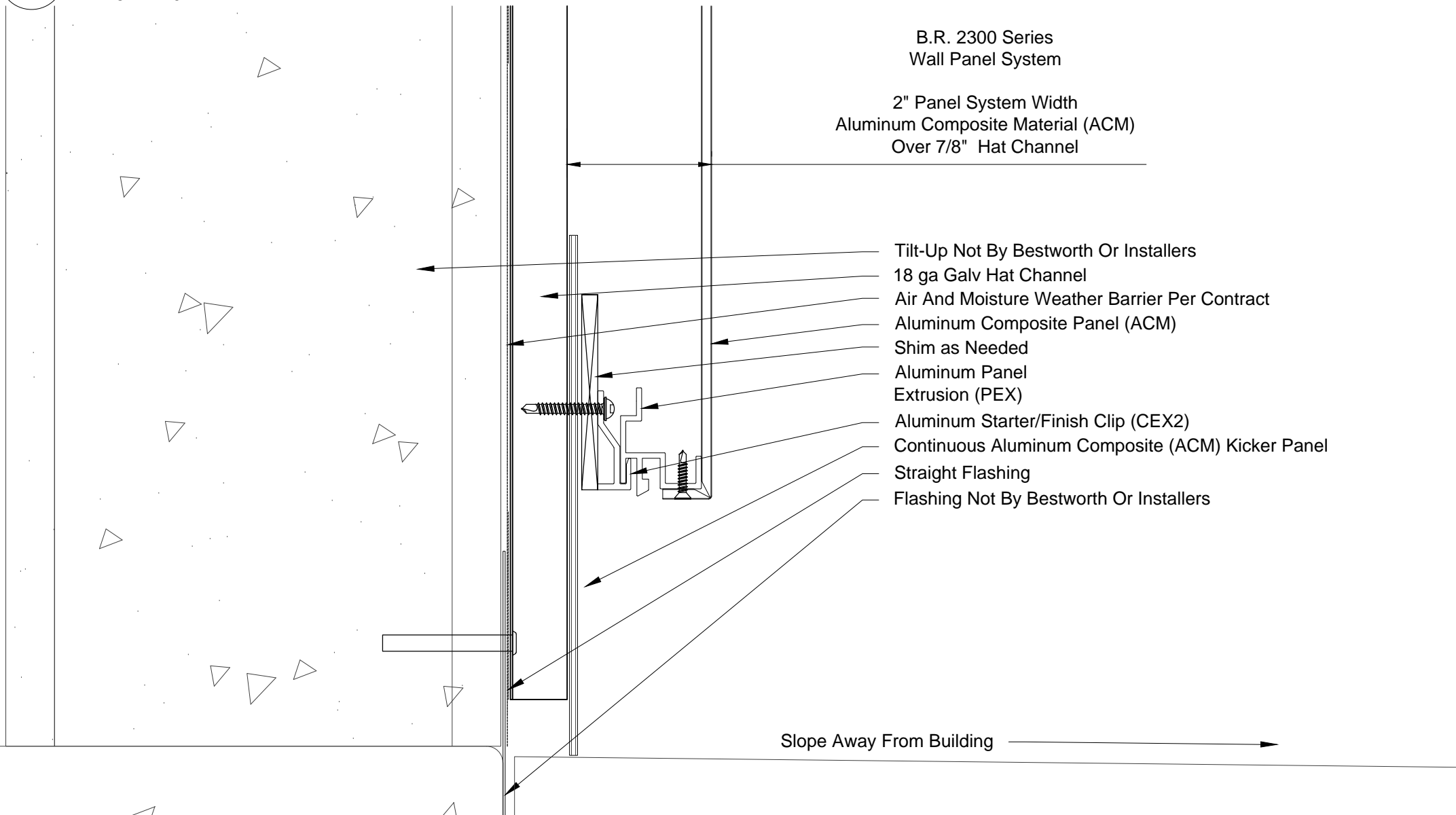


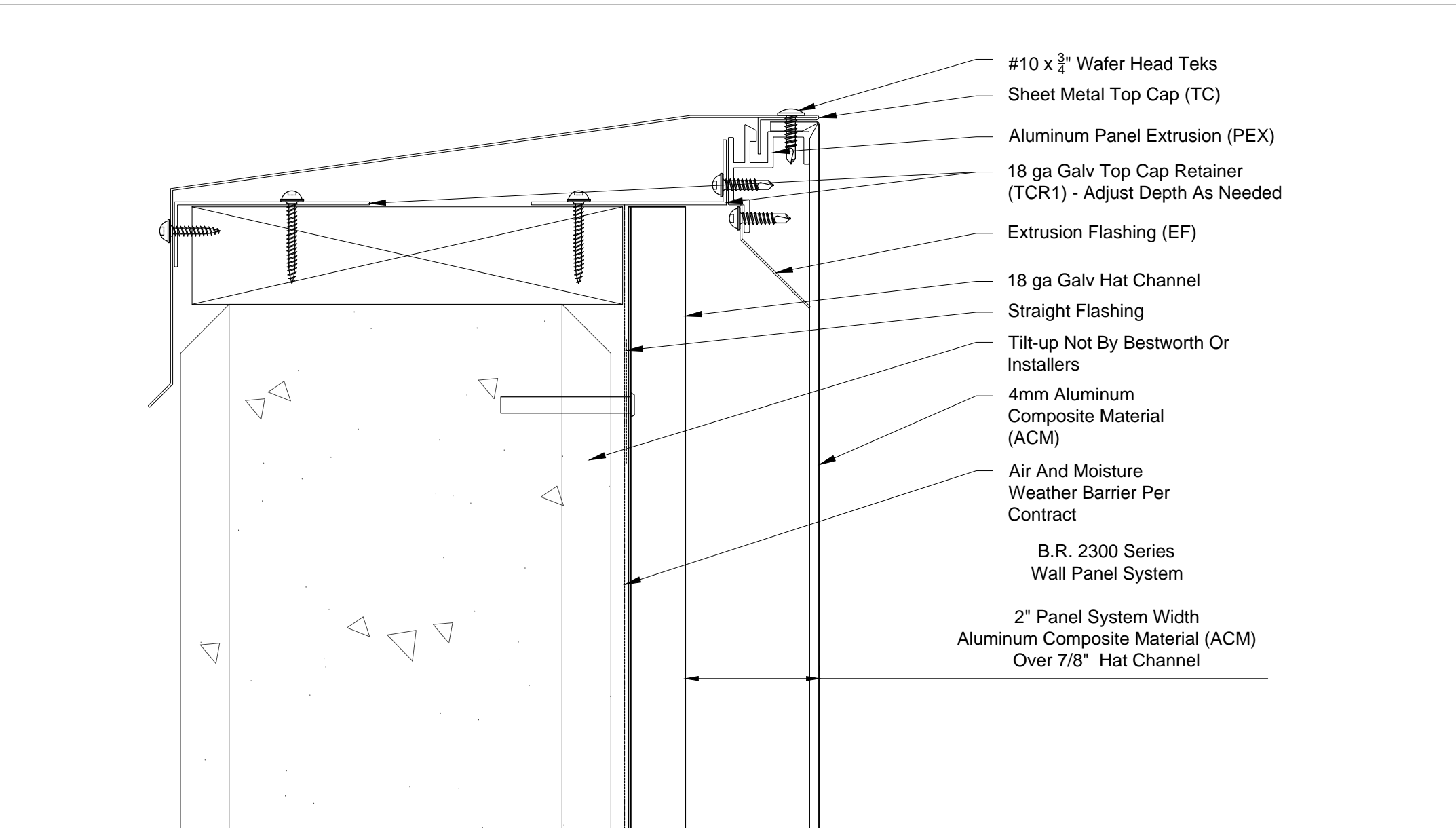
01 2300 ACM @ Window Header - Tilt Up  
6" = 1'-0"



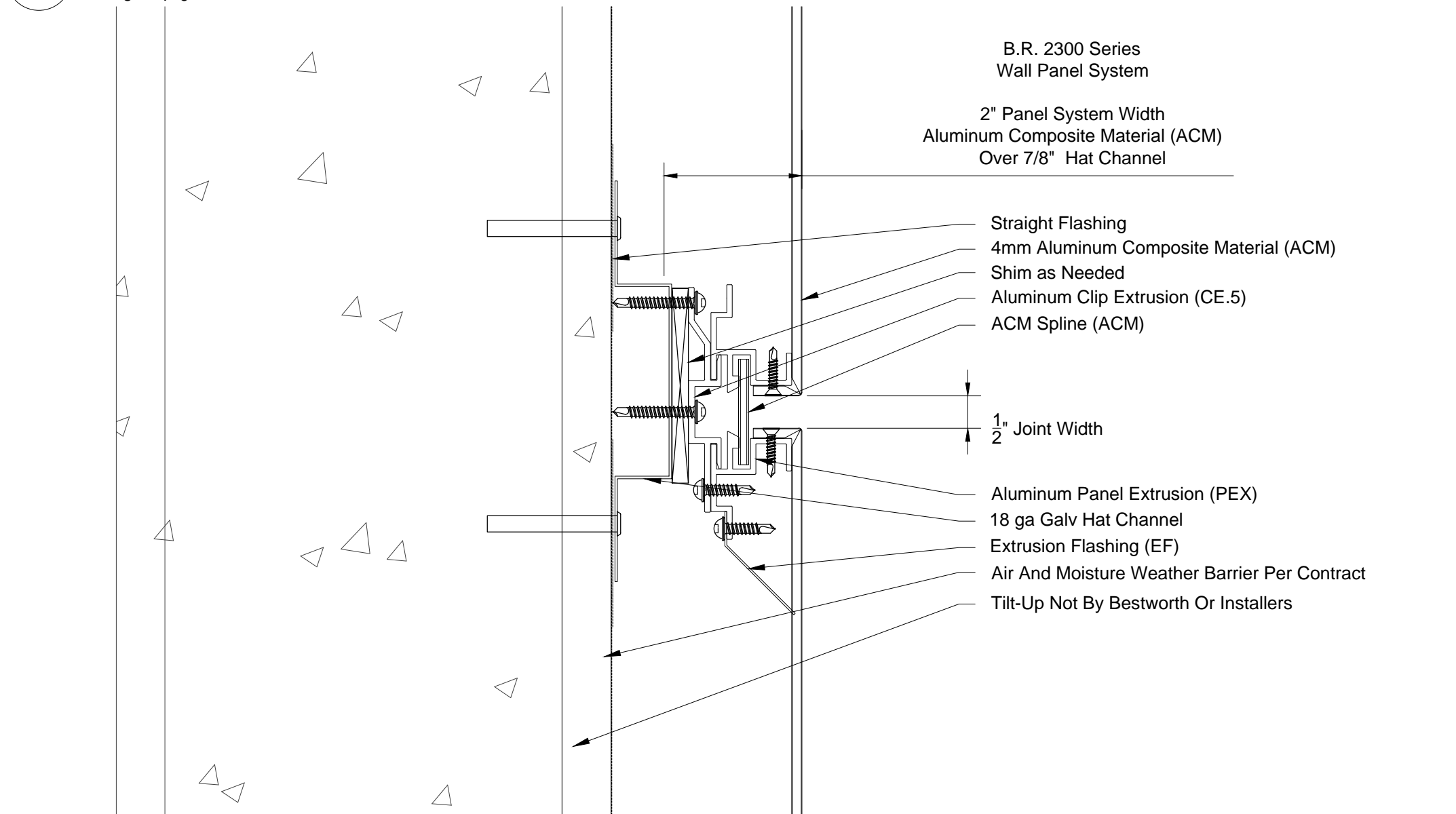
02 2300 ACM @ Window Sill - Tilt Up  
6" = 1'-0"



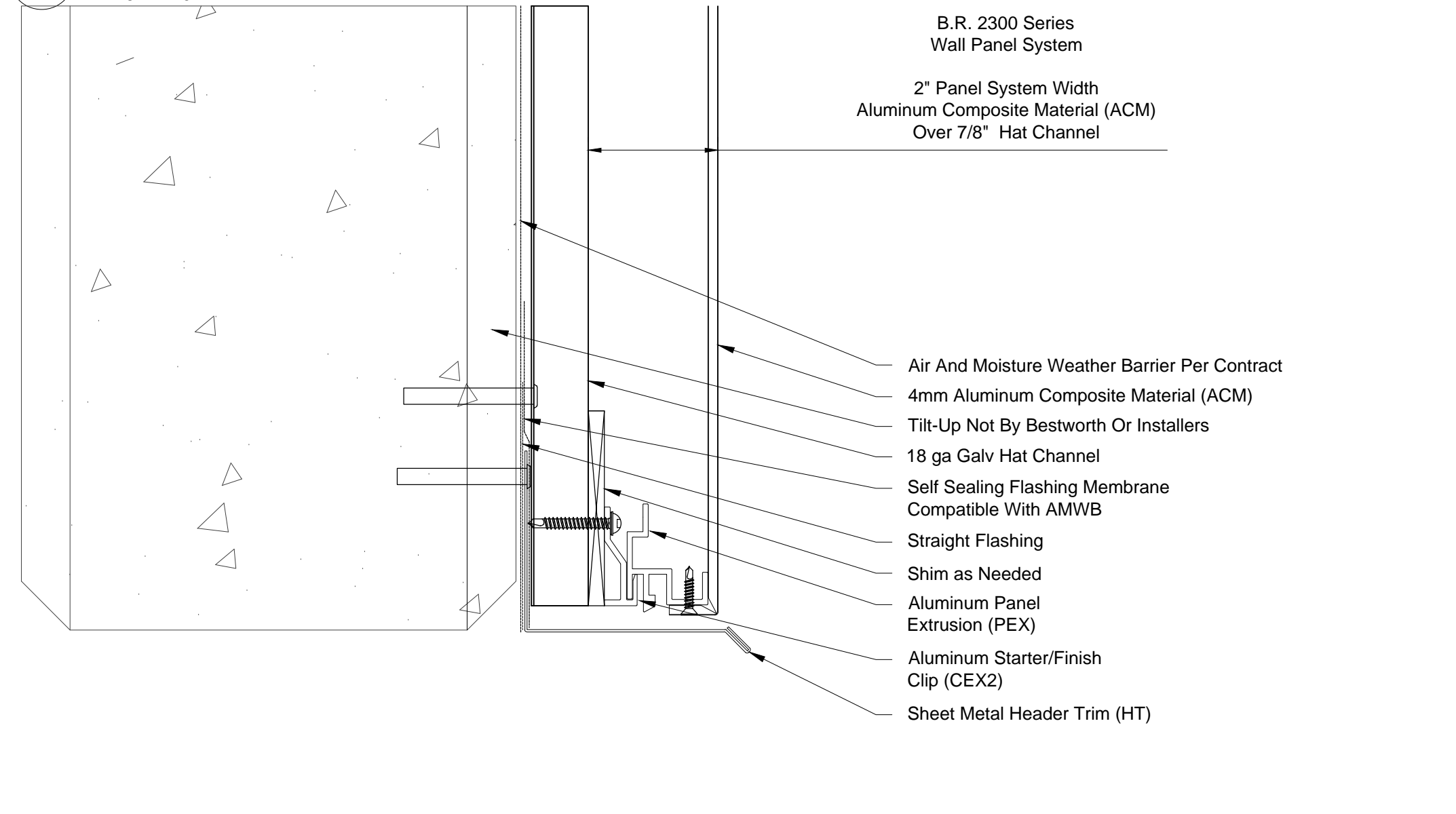
03 2300 ACM @ Base Condition - Tilt Up  
6" = 1'-0"



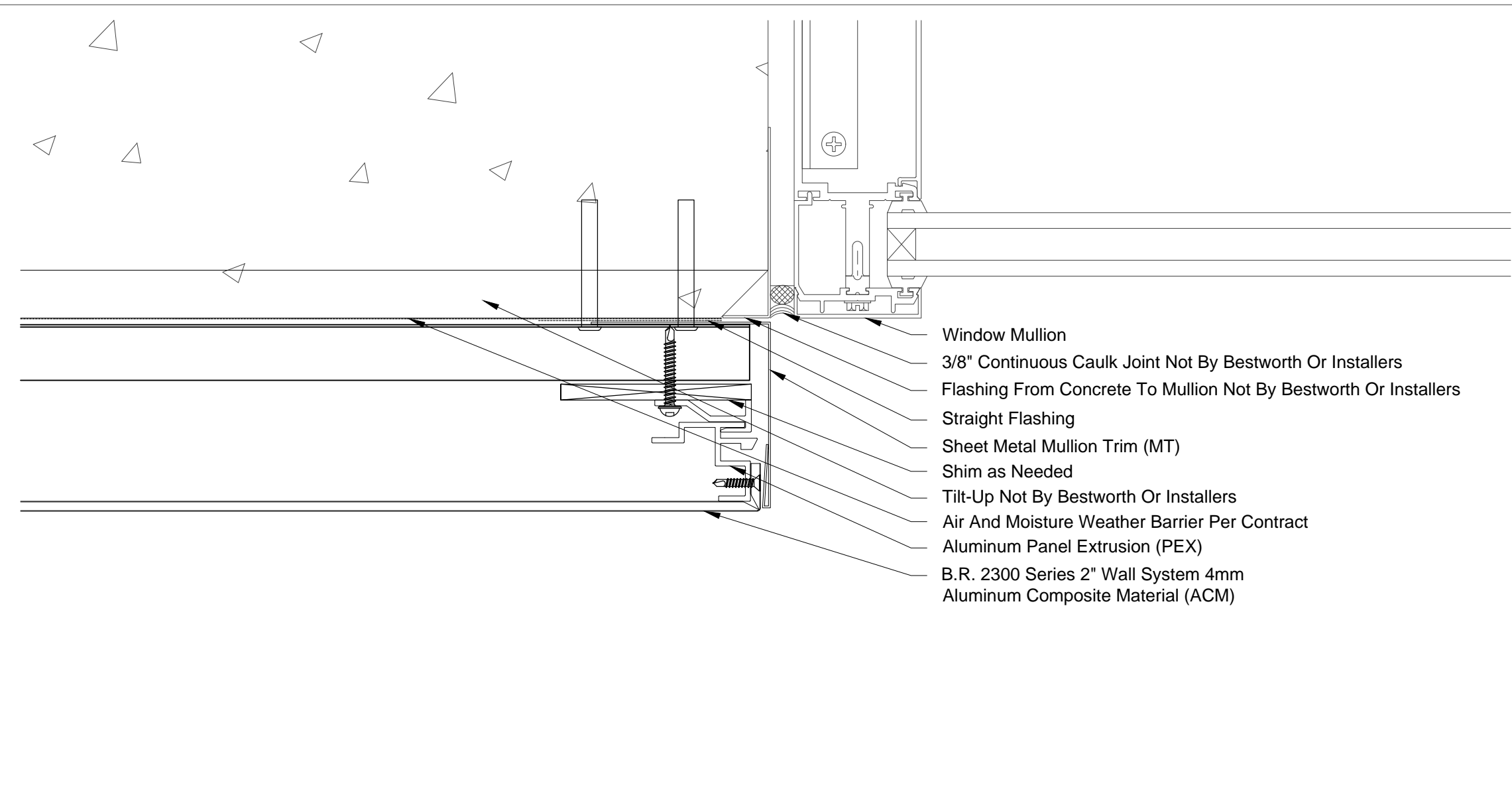
04 2300 ACM @ Sheet Metal Top Cap - Tilt Up  
6" = 1'-0"



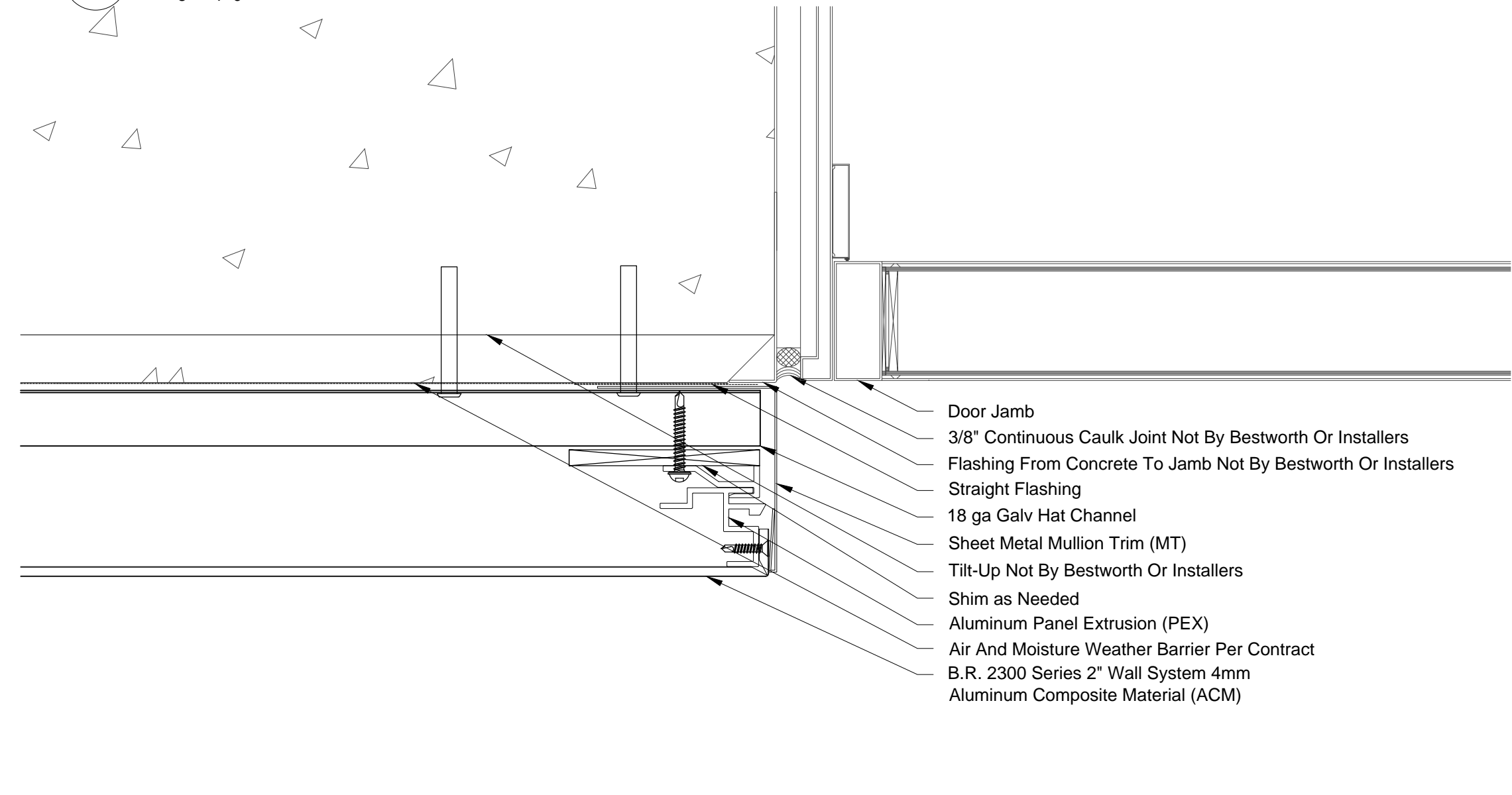
05 2300 ACM @ Panel Joint - Tilt Up  
6" = 1'-0"



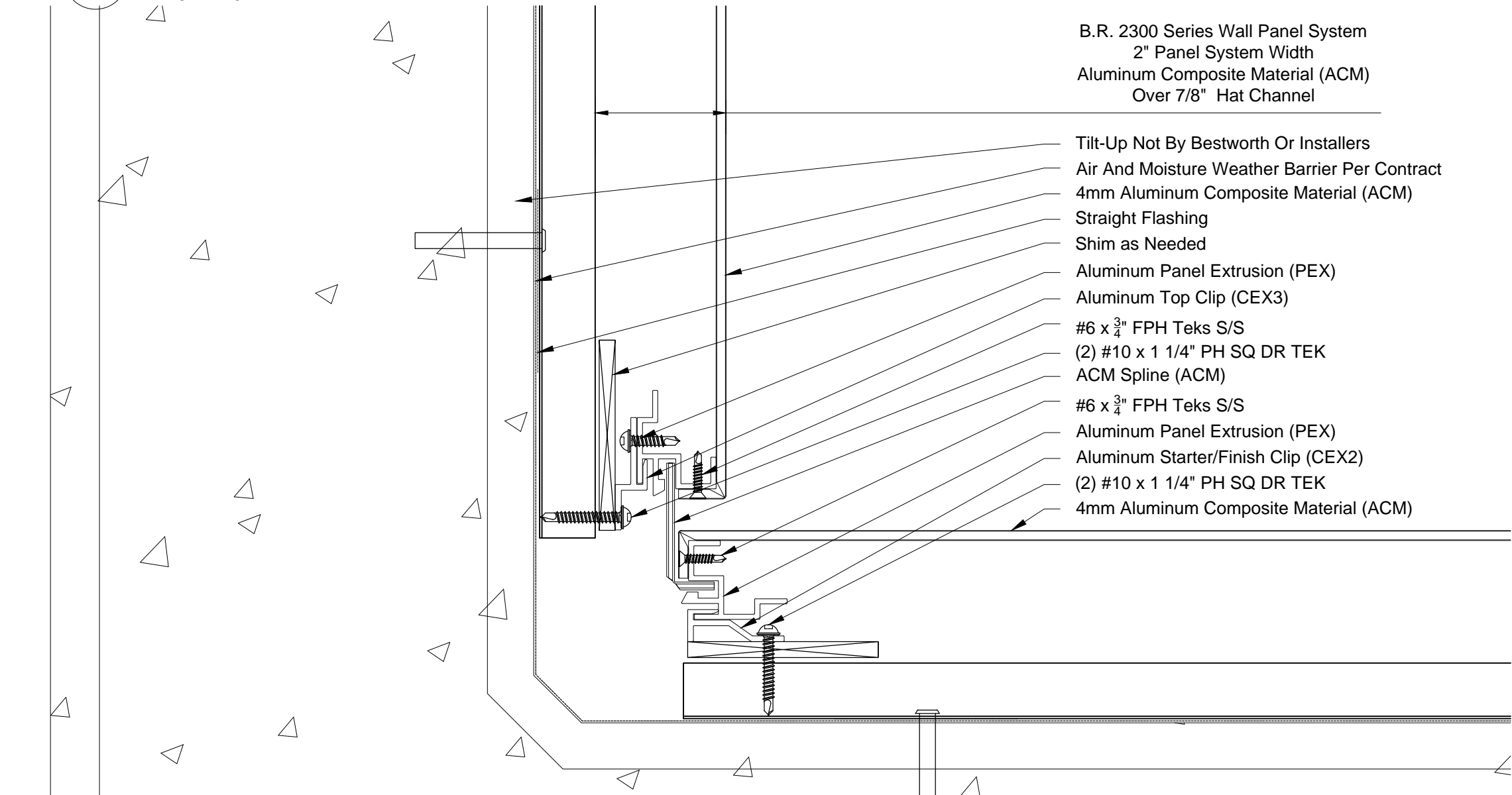
06 2300 ACM @ Soffit Termination - Tilt Up  
6" = 1'-0"



07 2300 ACM @ Window Mullion - Tilt Up  
6" = 1'-0"



08 2300 ACM @ Door Jamb - Tilt Up  
6" = 1'-0"



09 2300 ACM @ Inside Corner - Tilt Up  
6" = 1'-0"

# Standard 2300 ACM Tilt Up Framing Details

IF YOU ARE INTERESTED IN USING THESE DETAILS IN YOUR DESIGN SHEETS, PLEASE CONTACT BESTWORTHROMMEL FOR ADDITIONAL CAD DRAWINGS, OR FURTHER INFORMATION REGARDING OUR PANEL SYSTEMS.



**BESTWORTHROMMEL**  
19818 74TH Ave. N.E.  
Arlington, WA 98223  
360.435.2927 PHONE - 360.435.3617 FAX  
www.bestworth.com