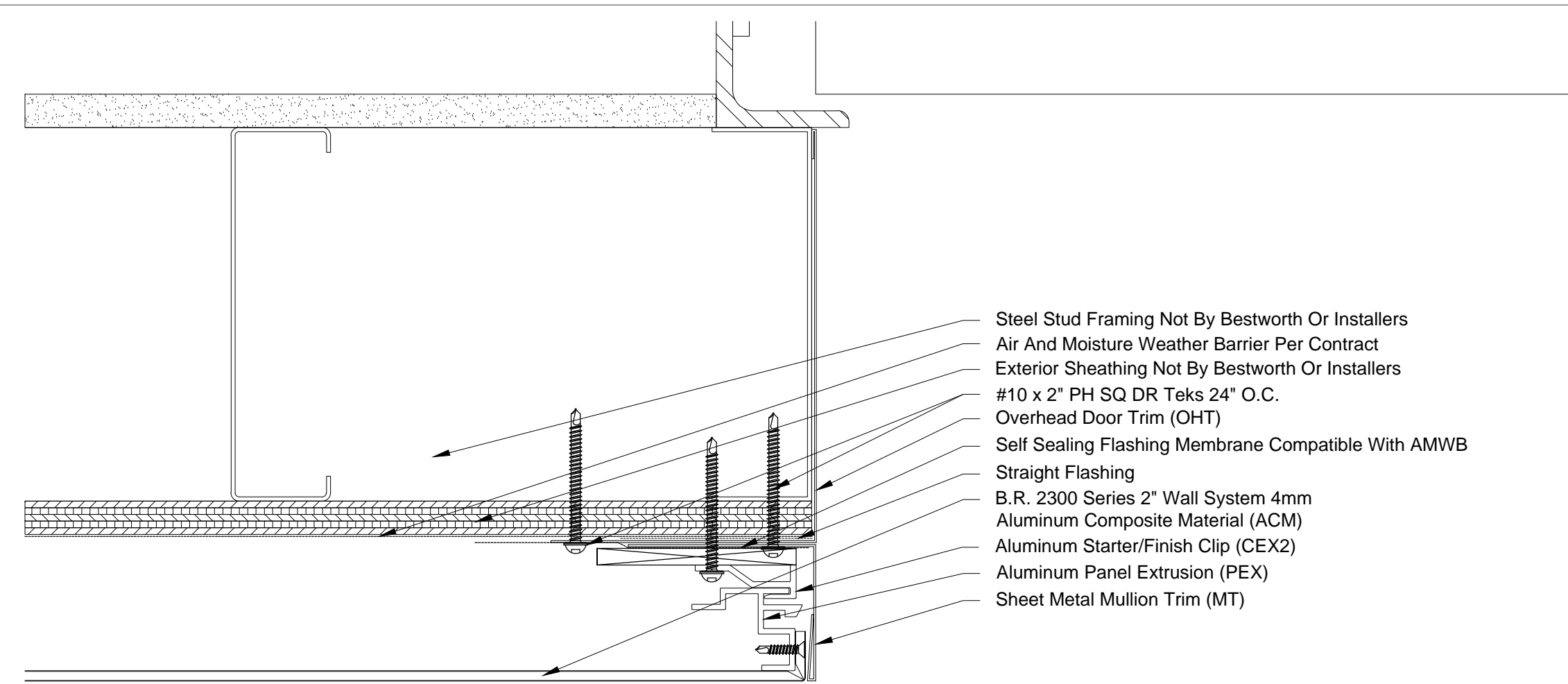
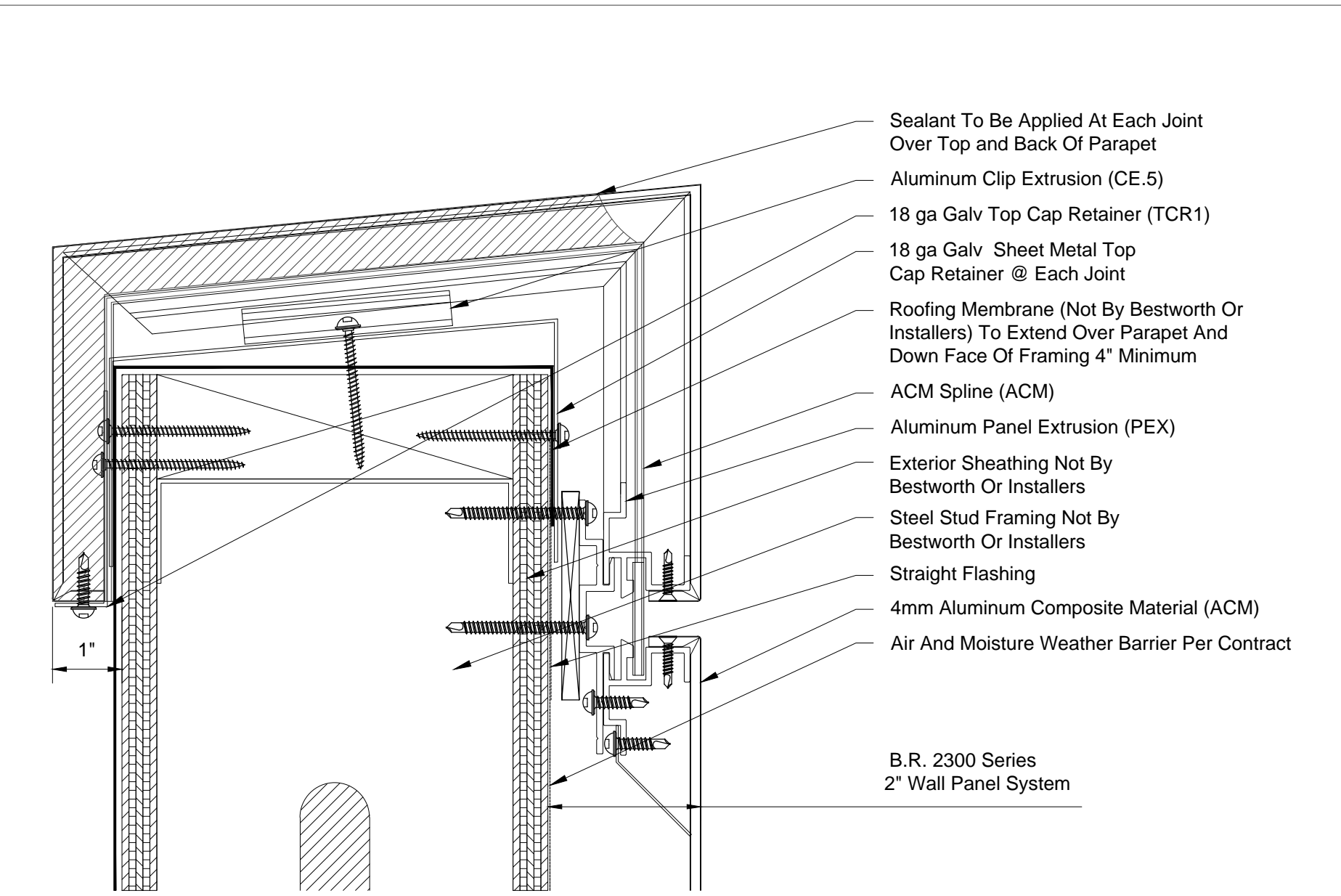


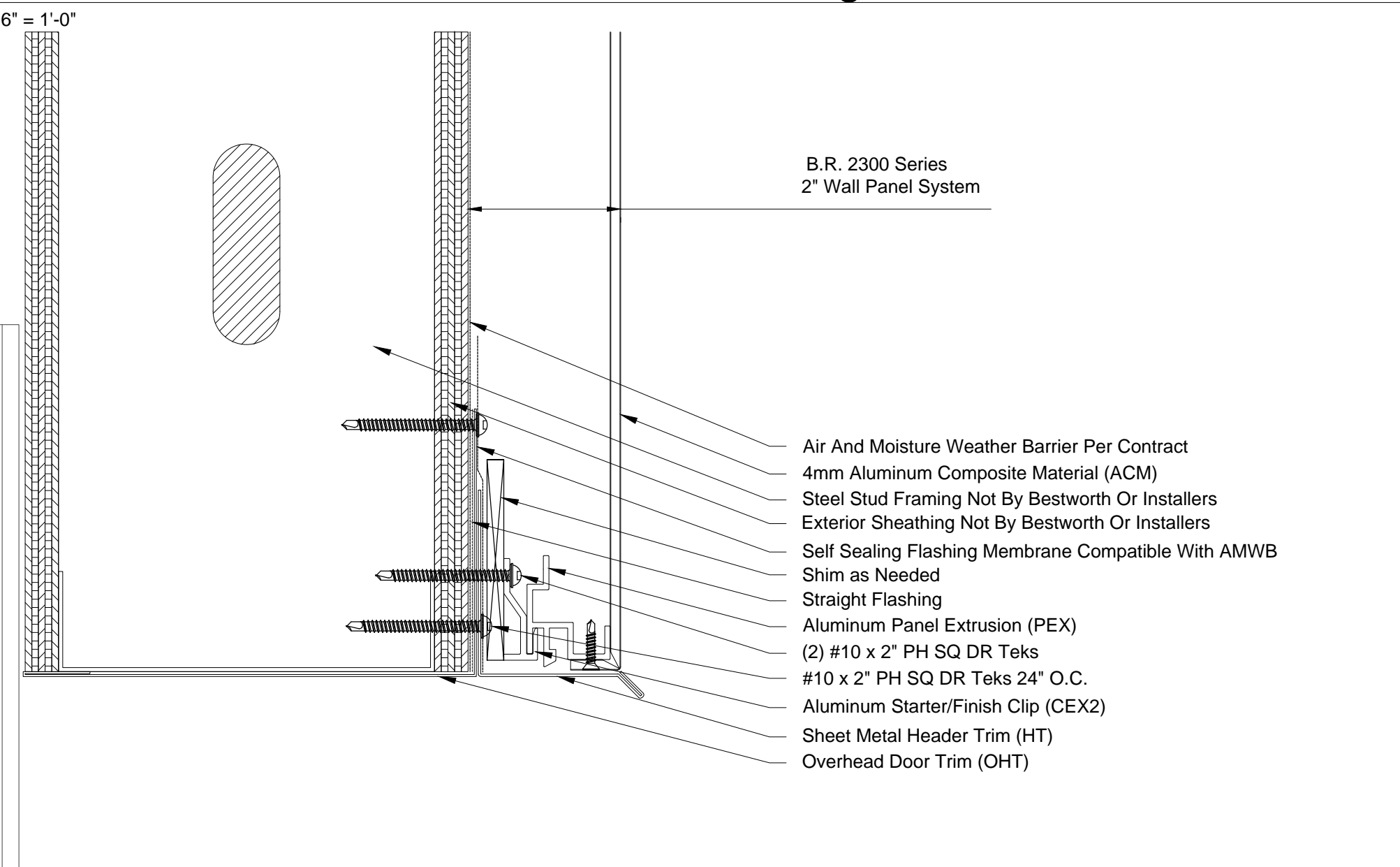
10 2300 ACM @ Door Header- Steel Framing



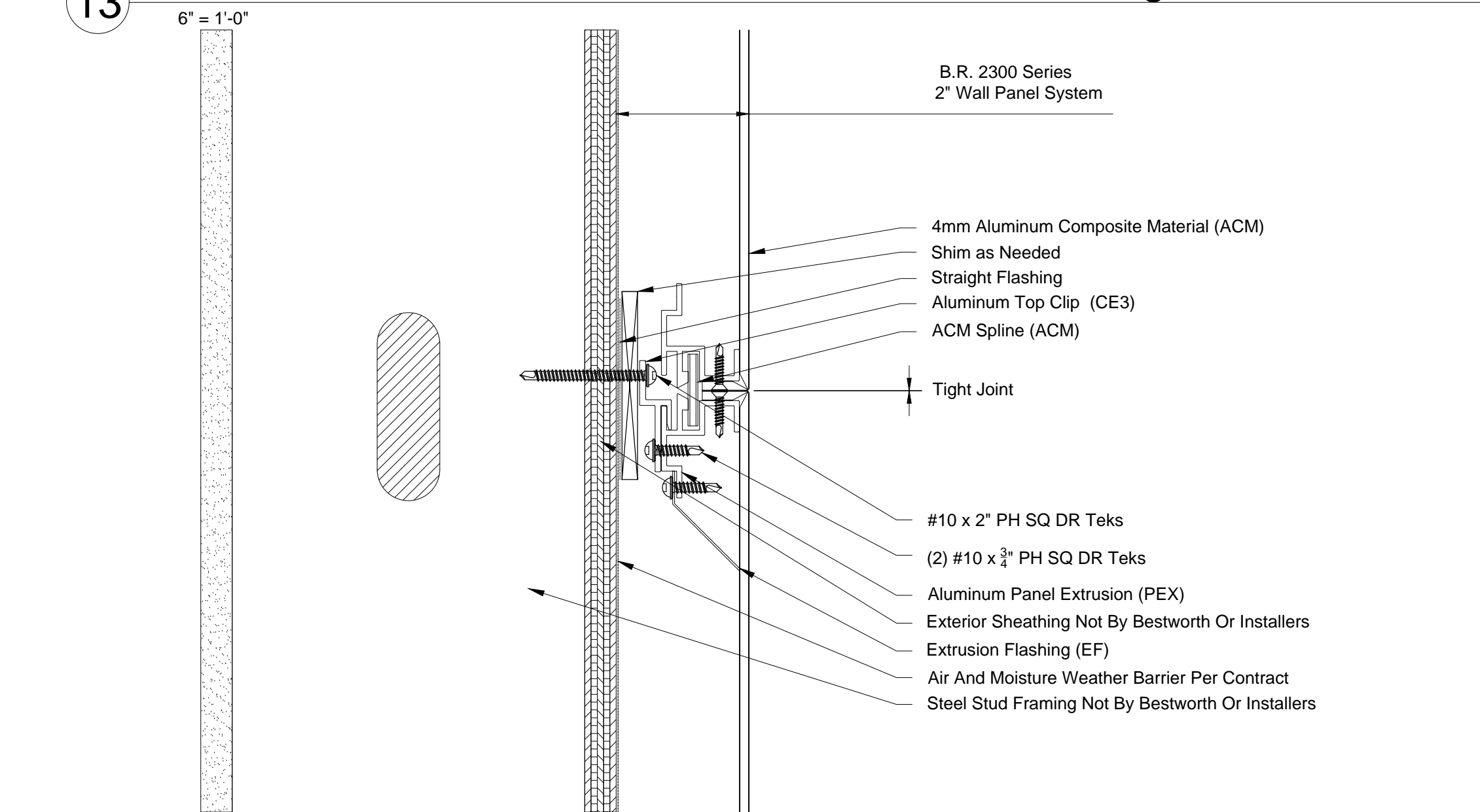
13 2300 ACM @ Overhead Door Jamb - Steel Framing



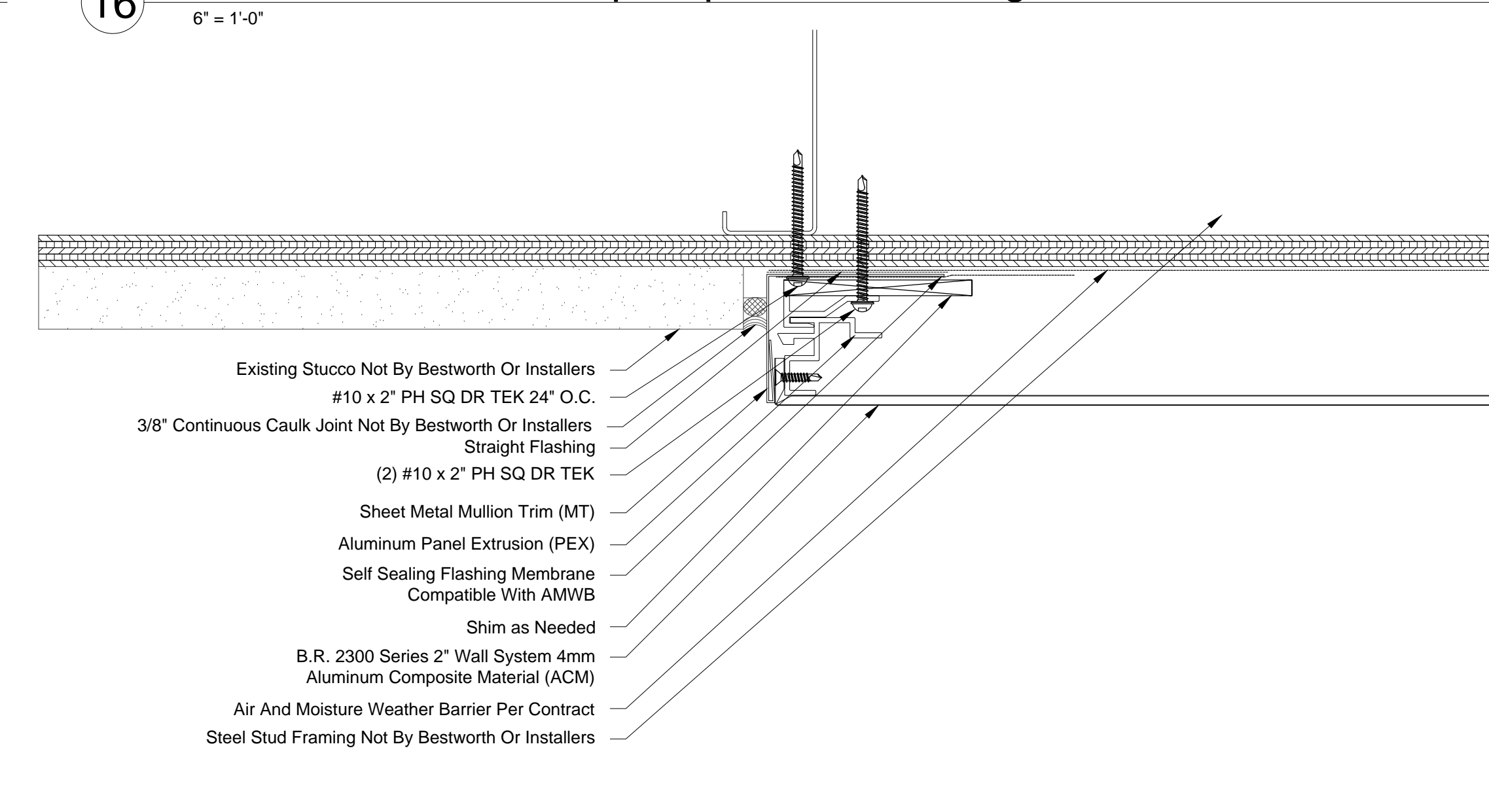
16 2300 ACM @ ACM Top Cap- Steel Framing



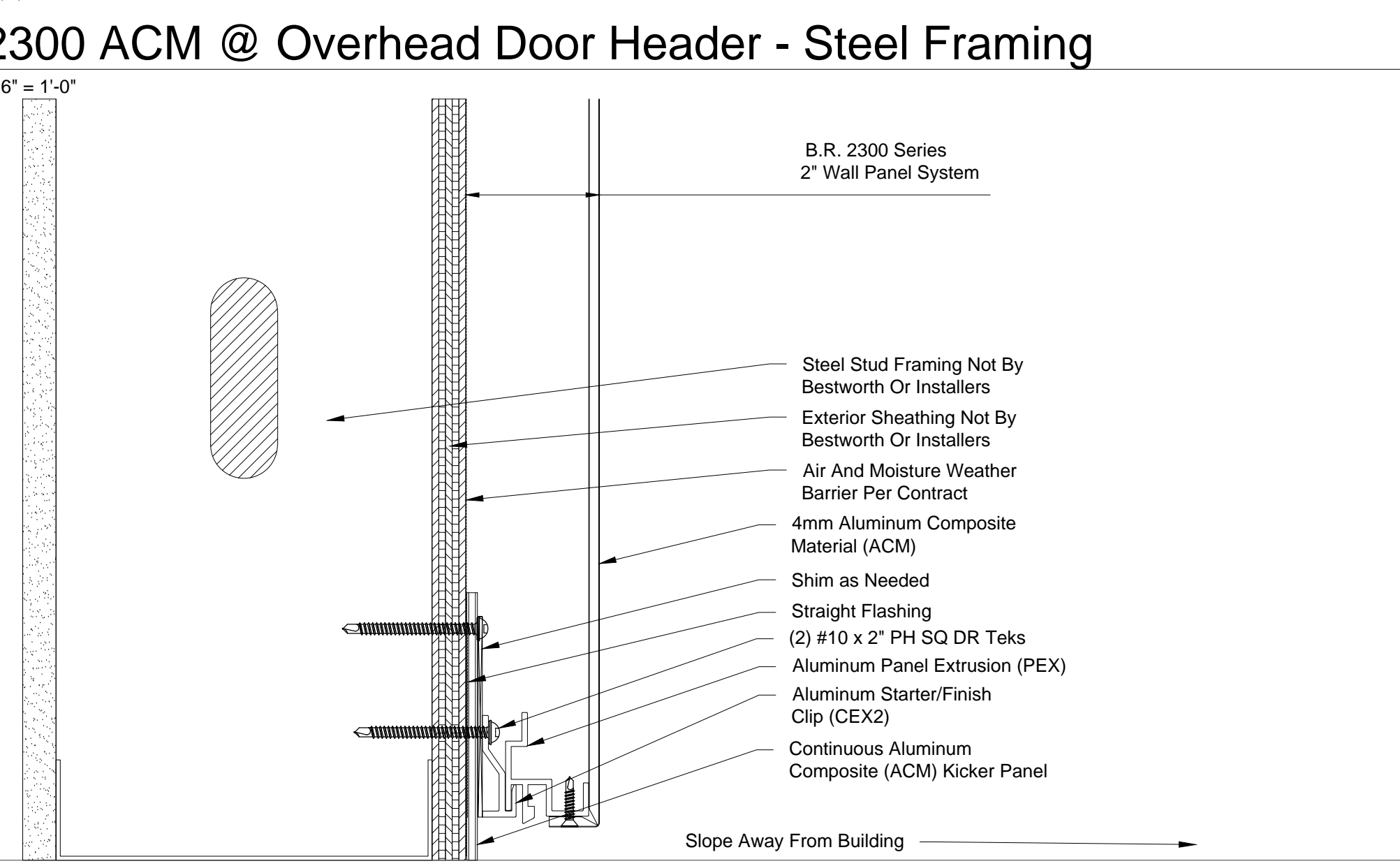
11 2300 ACM @ Overhead Door Header - Steel Framing



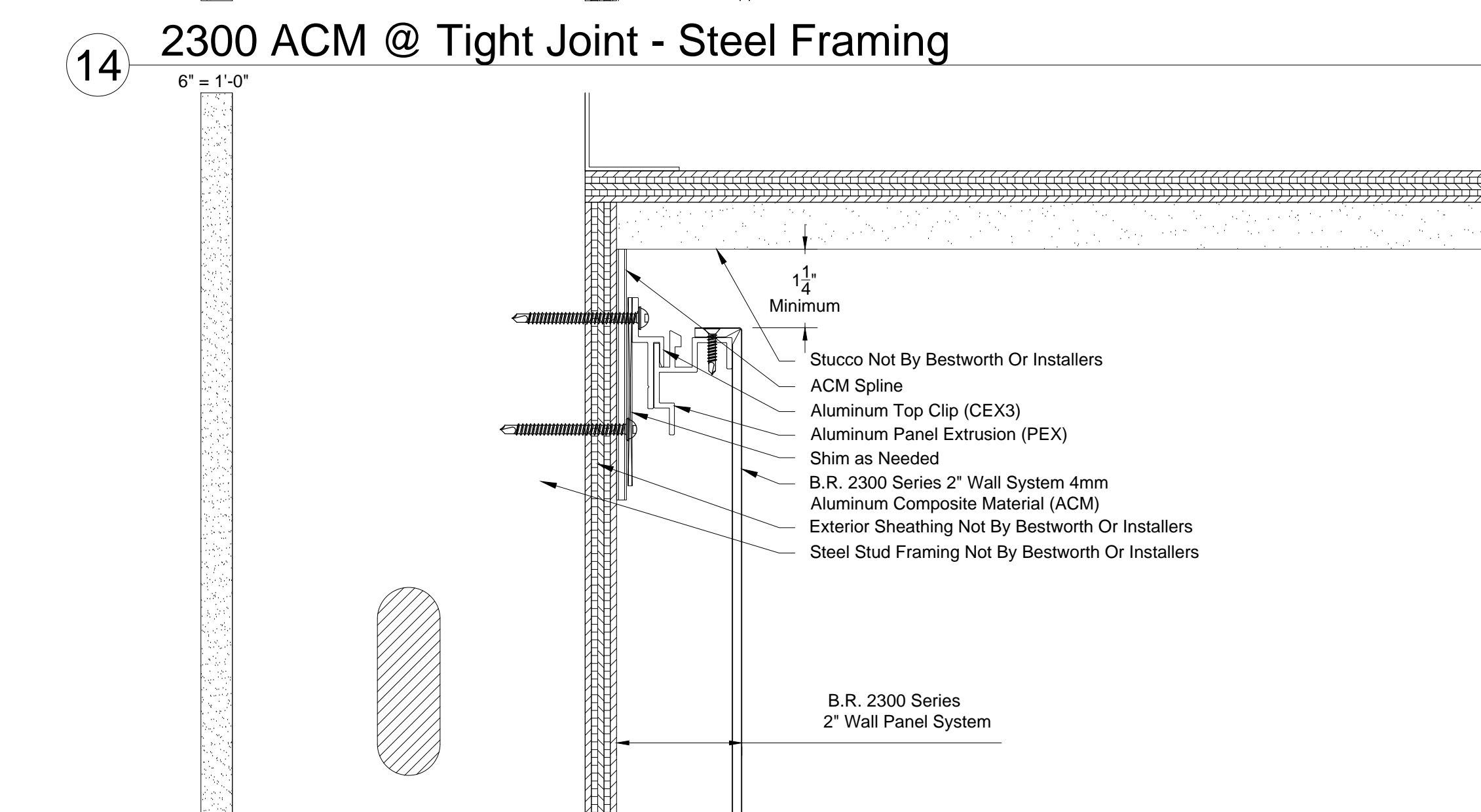
14 2300 ACM @ Tight Joint - Steel Framing



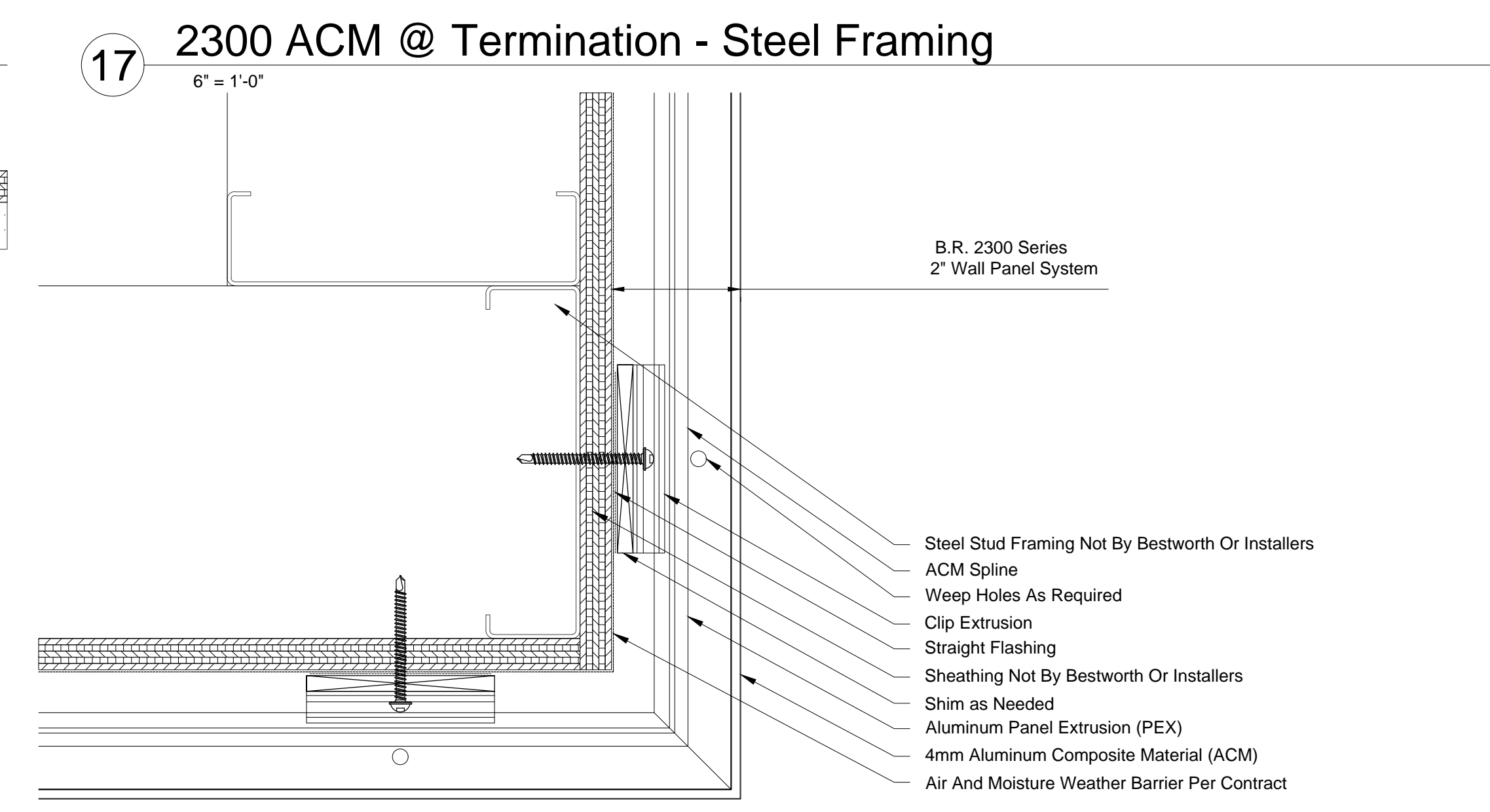
17 2300 ACM @ Termination - Steel Framing



12 2300 ACM @ Base Condition - Steel Framing



15 2300 ACM @ Soffit Termination - Steel Framing



18 2300 ACM @ Outside Corner - Steel Framing

Standard 2300 ACM Steel Framing Details

IF YOU ARE INTERESTED IN USING THESE DETAILS IN YOUR DESIGN SHEETS, PLEASE CONTACT BESTWORTHROMMEL FOR ADDITIONAL CAD DRAWINGS, OR FURTHER INFORMATION REGARDING OUR PANEL SYSTEMS.



BESTWORTHROMMEL
19818 74TH Ave. N.E.
Arlington, WA 98223

360.435.2927 PHONE - 360.435.3617 FAX
www.bestworth.com