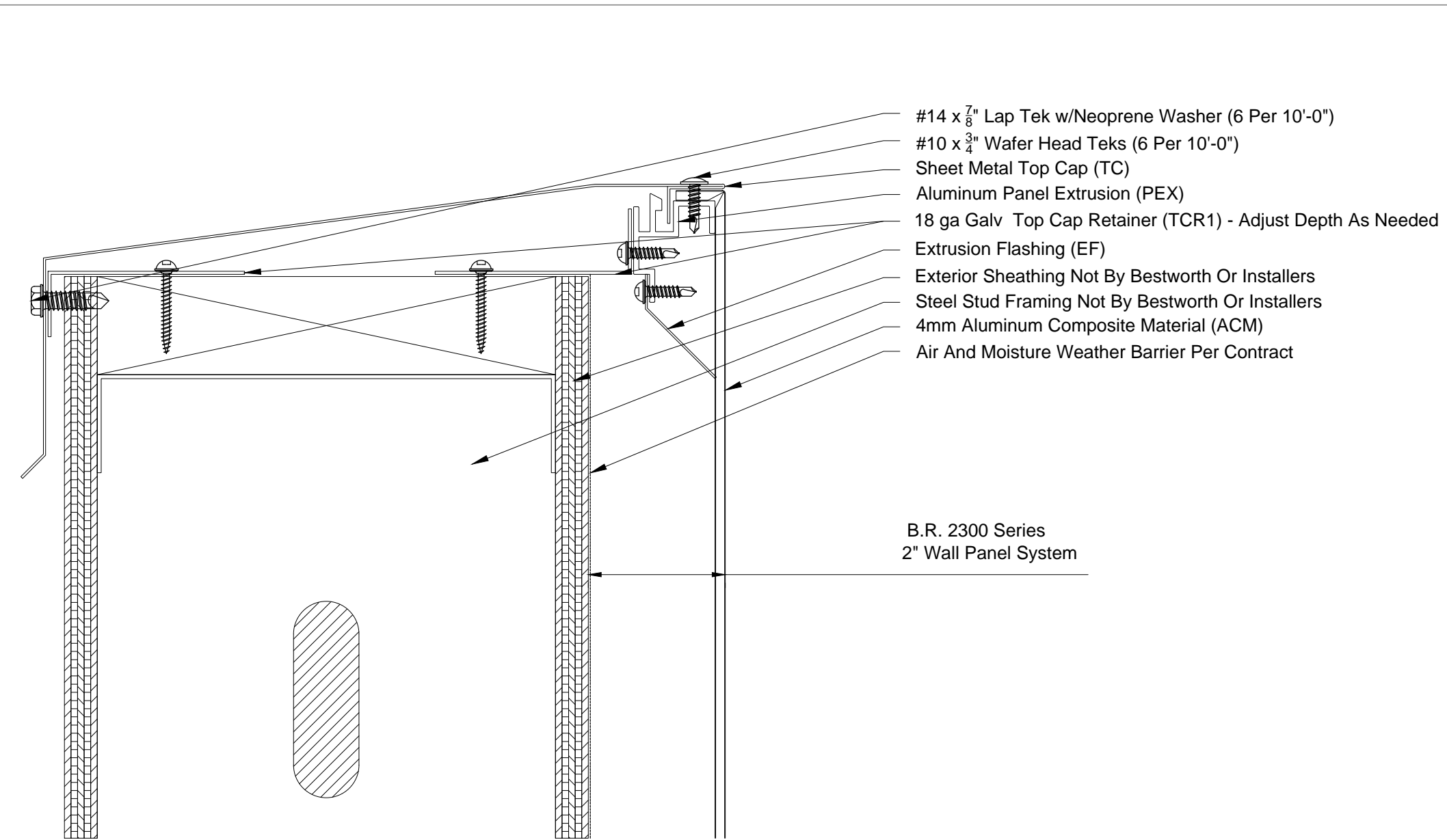
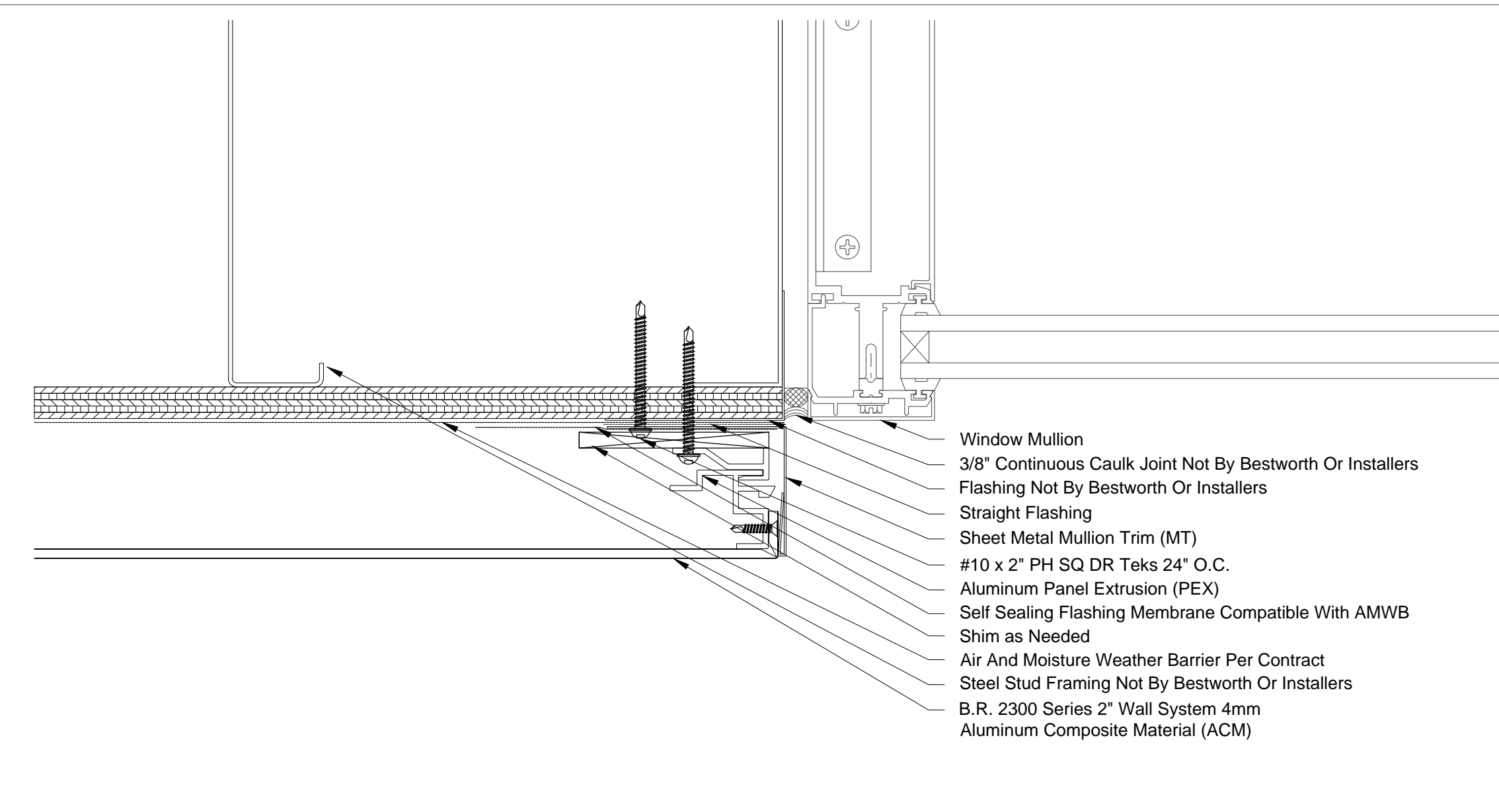


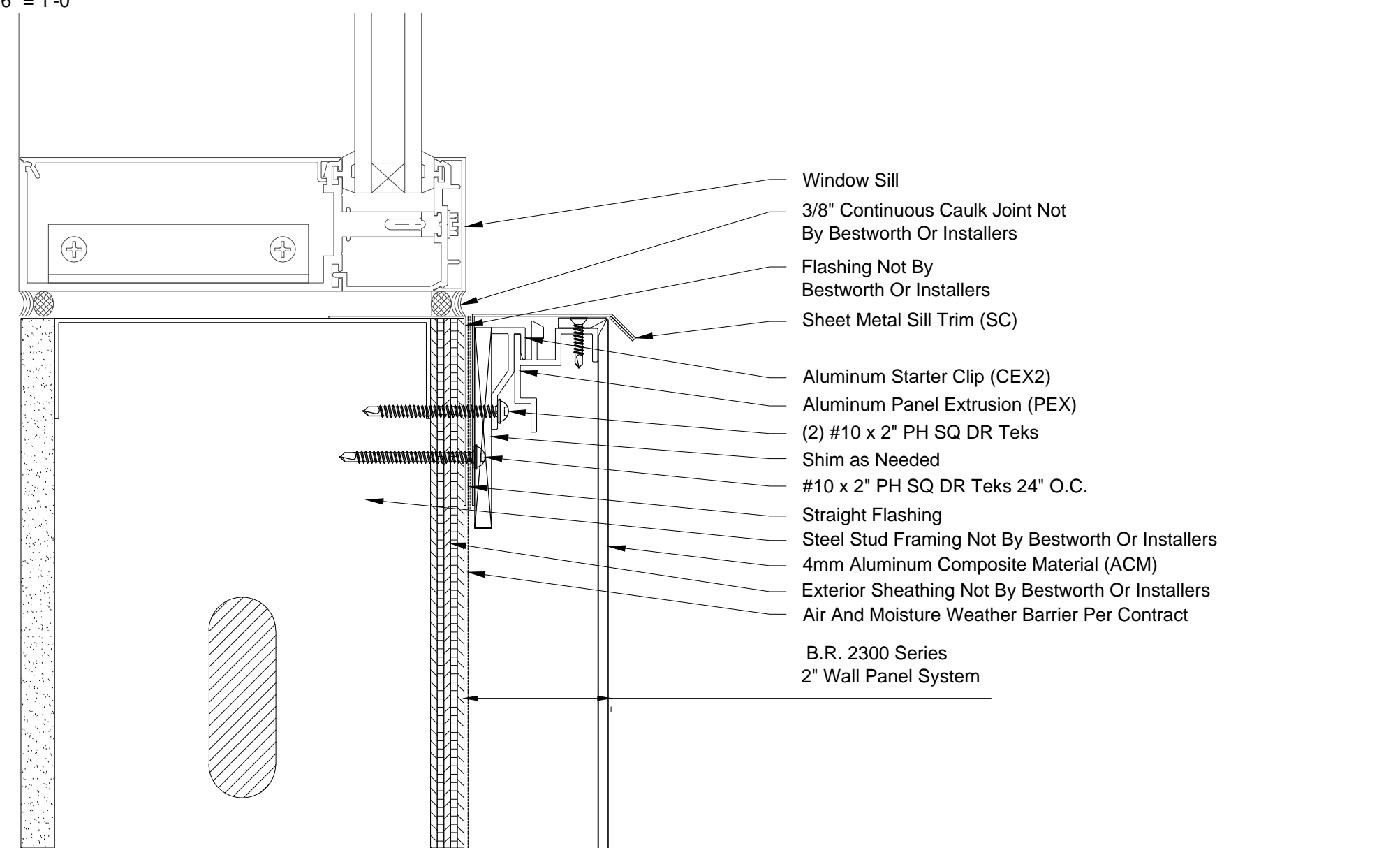
01 2300 ACM @ Window Header - Steel Framing
6" = 1'-0"



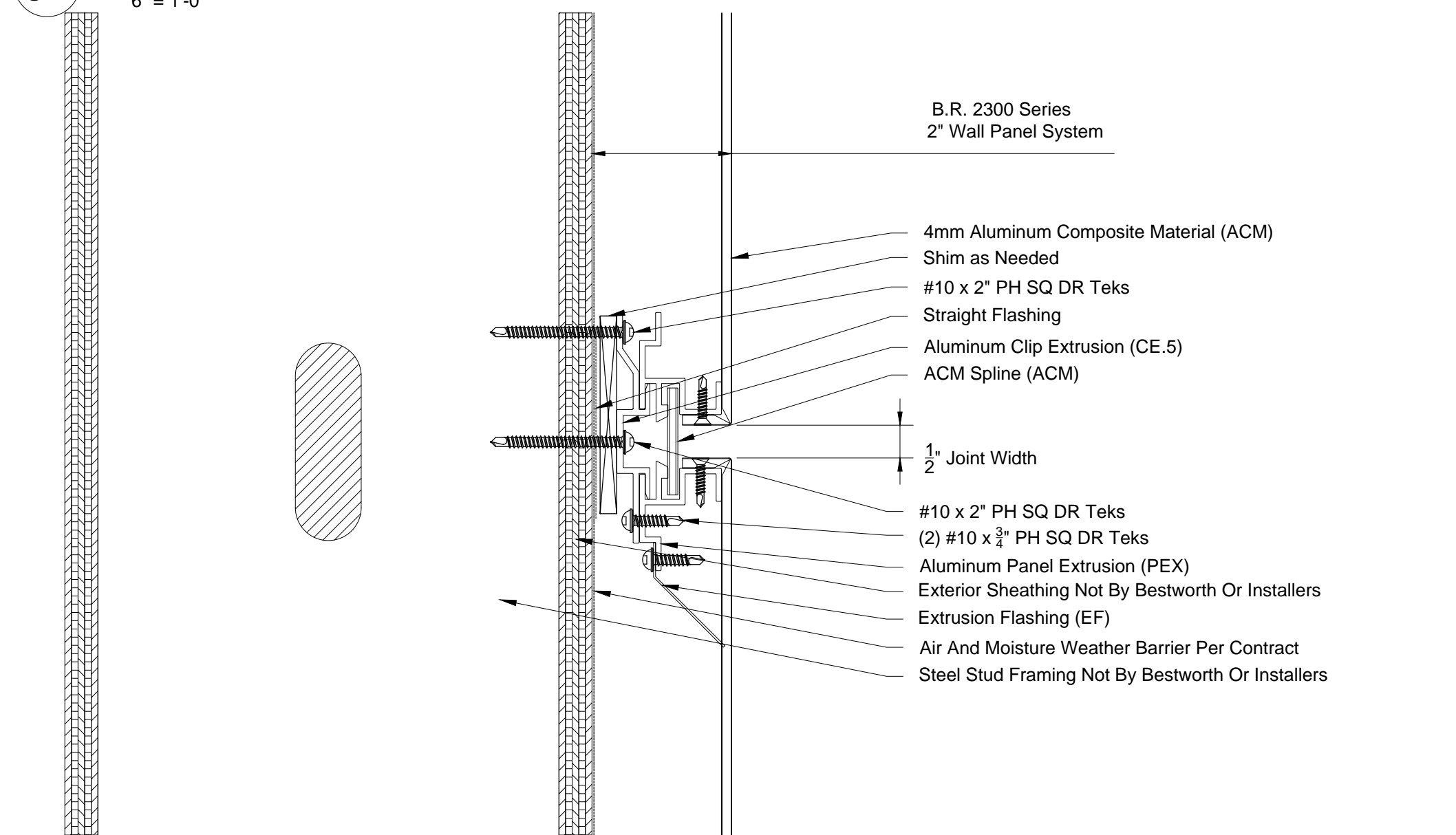
04 2300 ACM @ Sheet Metal Top Cap - Steel Framing
6" = 1'-0"



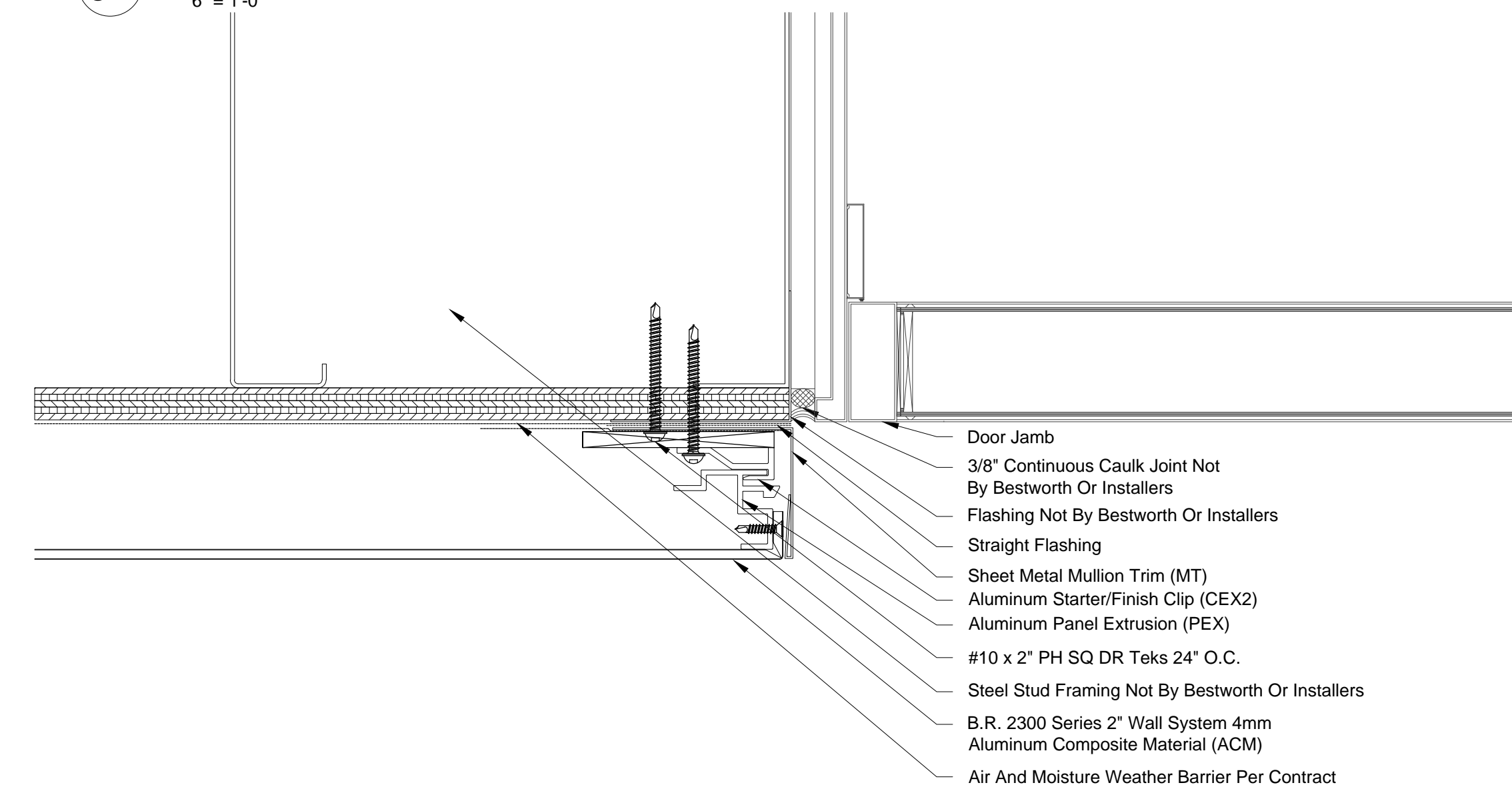
07 2300 ACM @ Window Mullion - Steel Framing
6" = 1'-0"



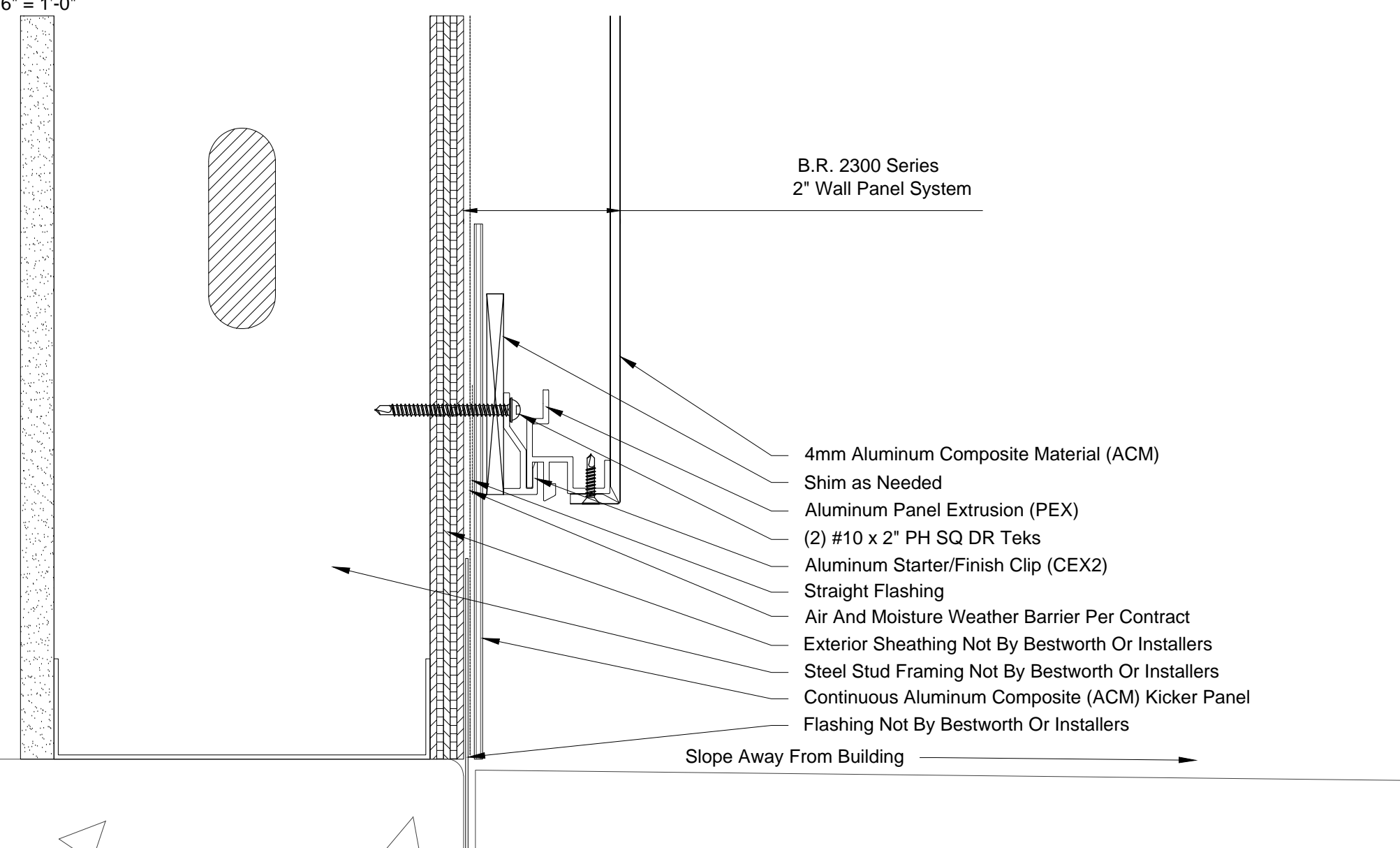
02 2300 ACM @ Window Sill - Steel Framing
6" = 1'-0"



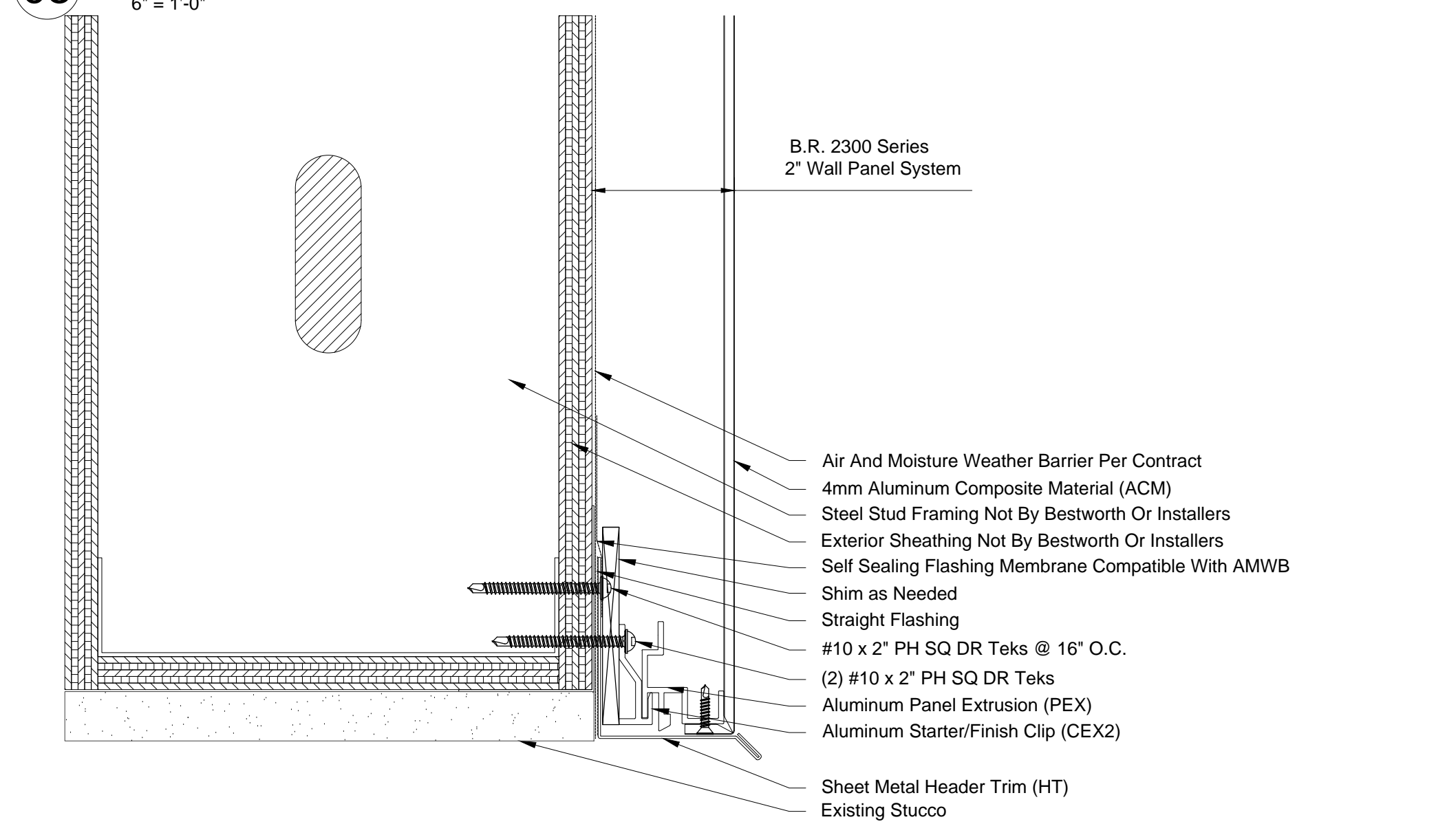
05 2300 ACM @ Panel Joint - Steel Framing
6" = 1'-0"



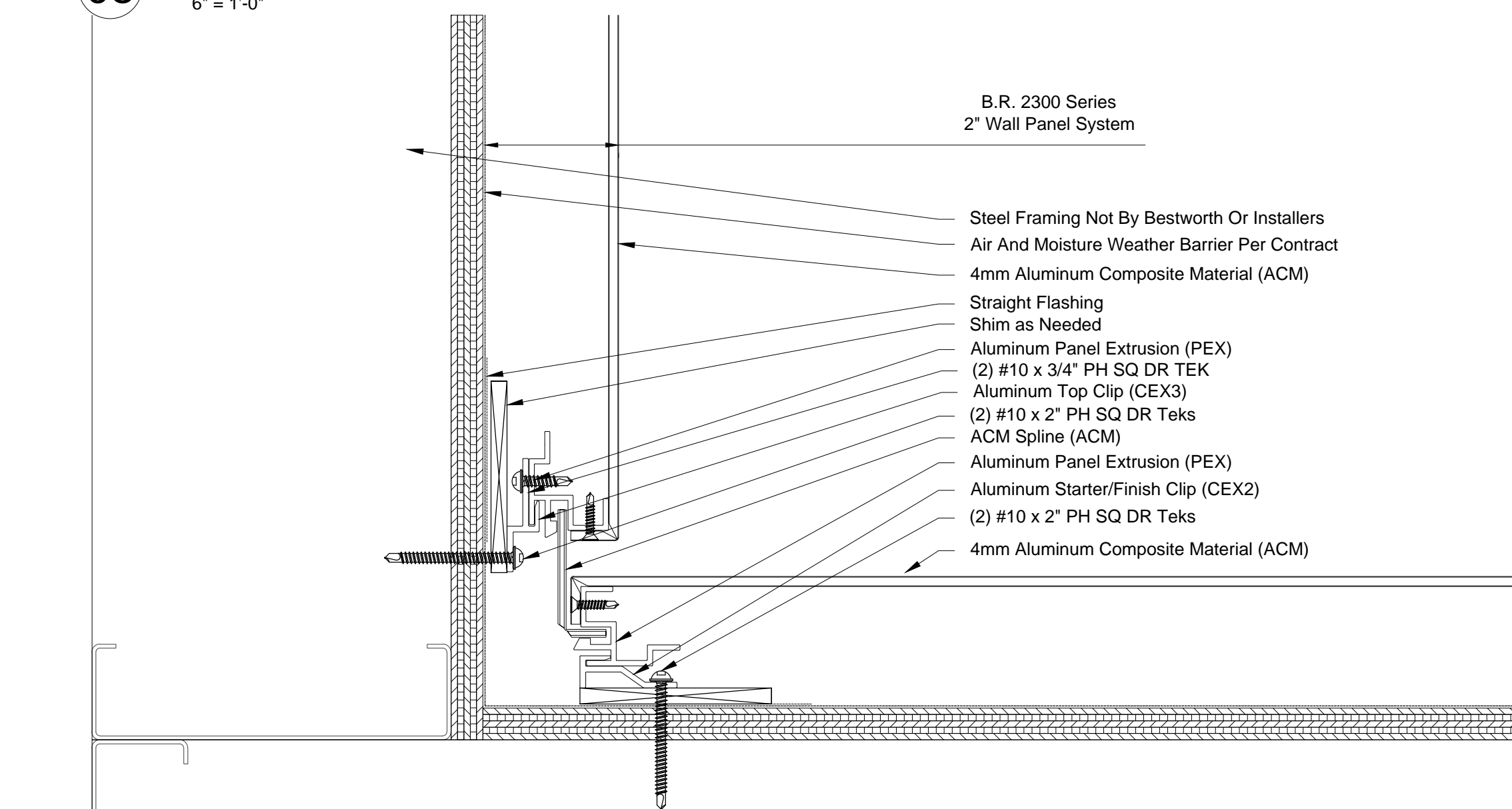
08 2300 ACM @ Door Jamb - Steel Framing
6" = 1'-0"



03 2300 ACM @ Base Condition - Steel Framing
6" = 1'-0"



06 2300 ACM @ Soffit Termination - Steel Framing
6" = 1'-0"



09 2300 ACM @ Inside Corner - Steel Framing
6" = 1'-0"

Standard 2300 ACM Steel Framing Details

IF YOU ARE INTERESTED IN USING THESE DETAILS IN YOUR DESIGN SHEETS, PLEASE CONTACT BESTWORTHROMMEL FOR ADDITIONAL CAD DRAWINGS, OR FURTHER INFORMATION REGARDING OUR PANEL SYSTEMS.



BESTWORTHROMMEL
19818 74TH Ave. N.E.
Arlington, WA 98223

360.435.2927 PHONE - 360.435.3617 FAX
www.bestworth.com